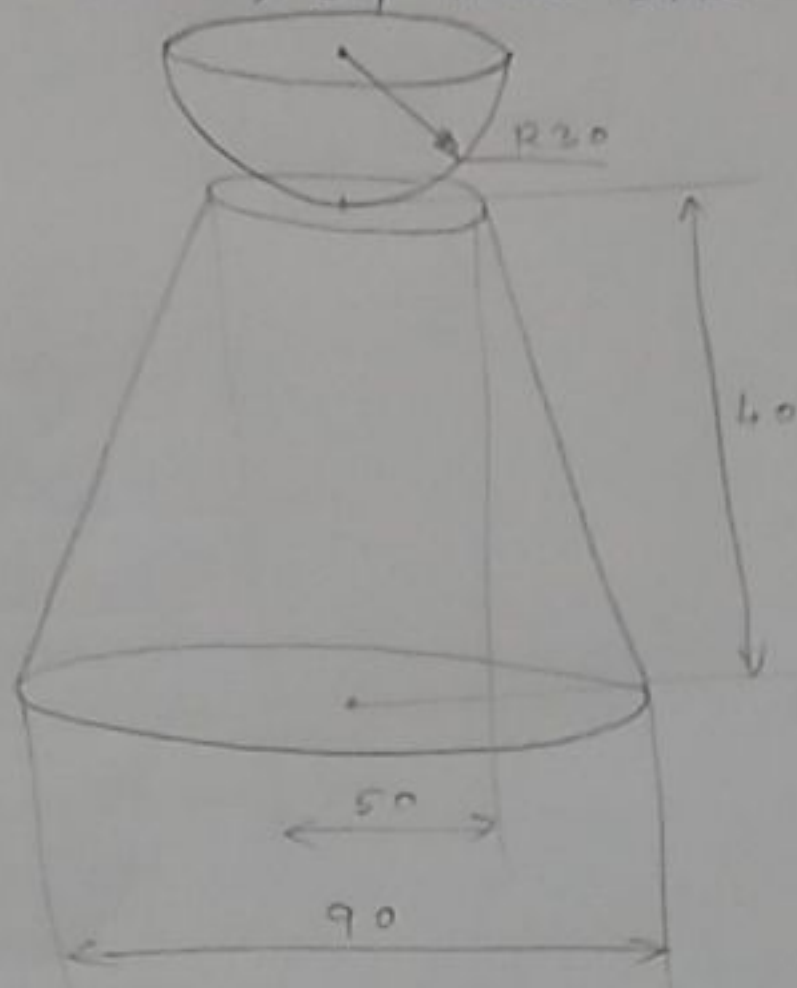
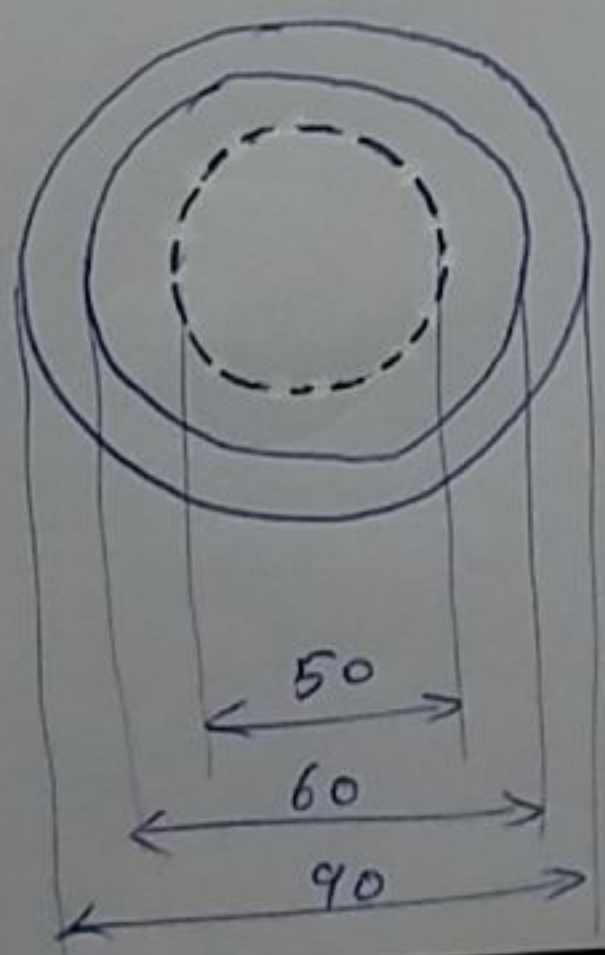


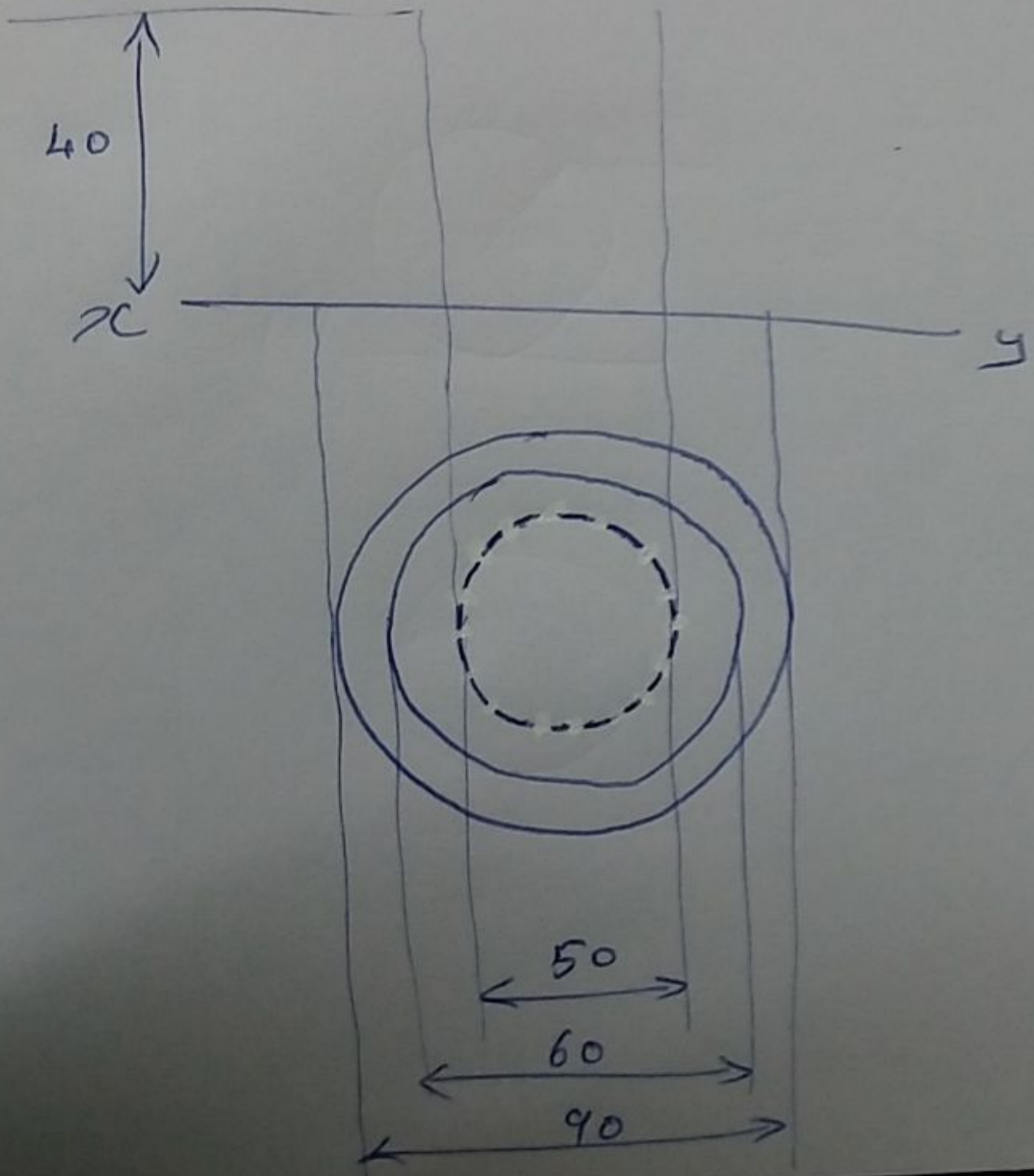
Draw the isometric View & isometric Proj. of a hemisphere dia. 60mm kept centrally with plane surface upwards on the frustum of a cone of base dia. 90mm, top face dia. 50mm & ht. 40mm



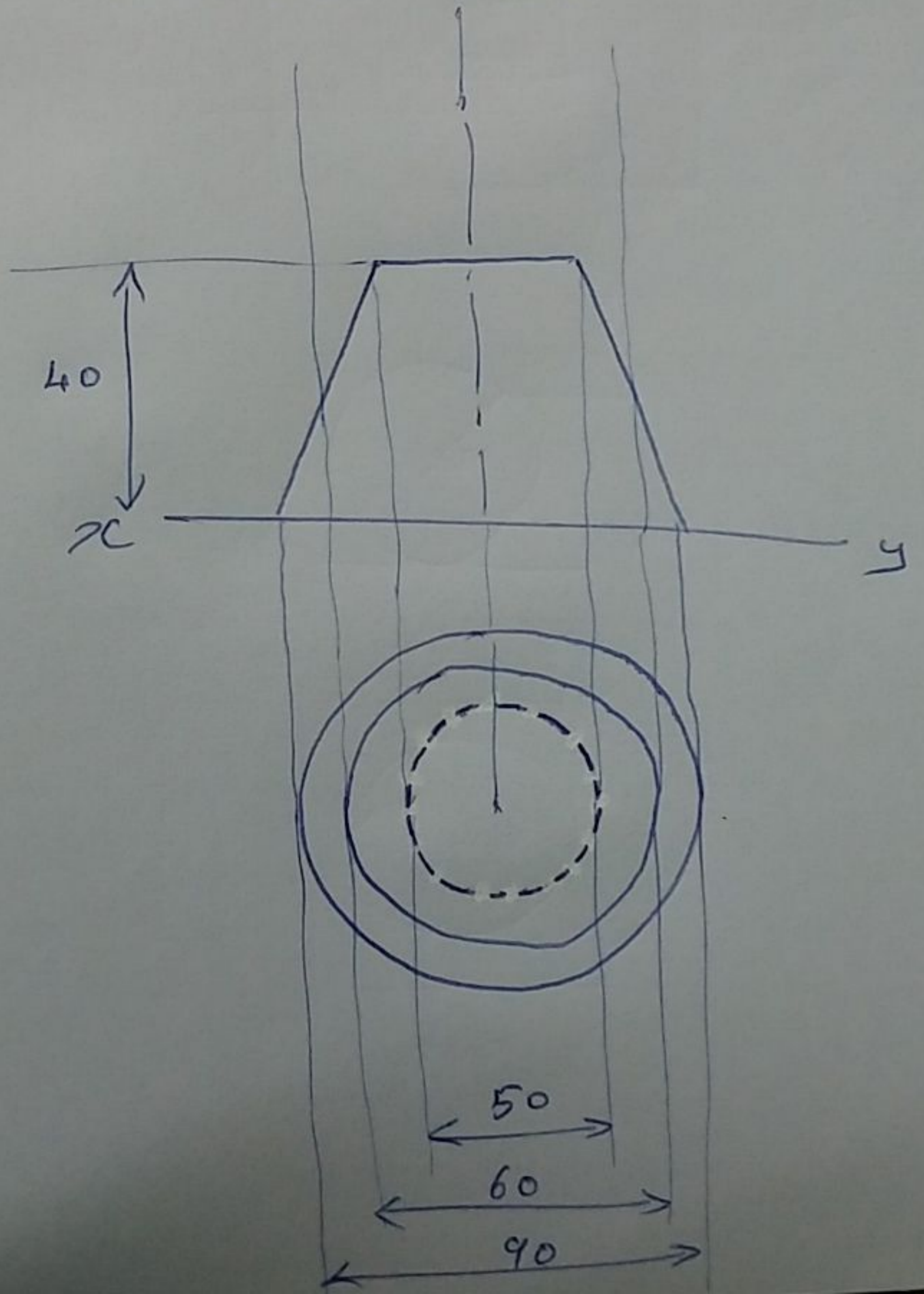
# Isometric View



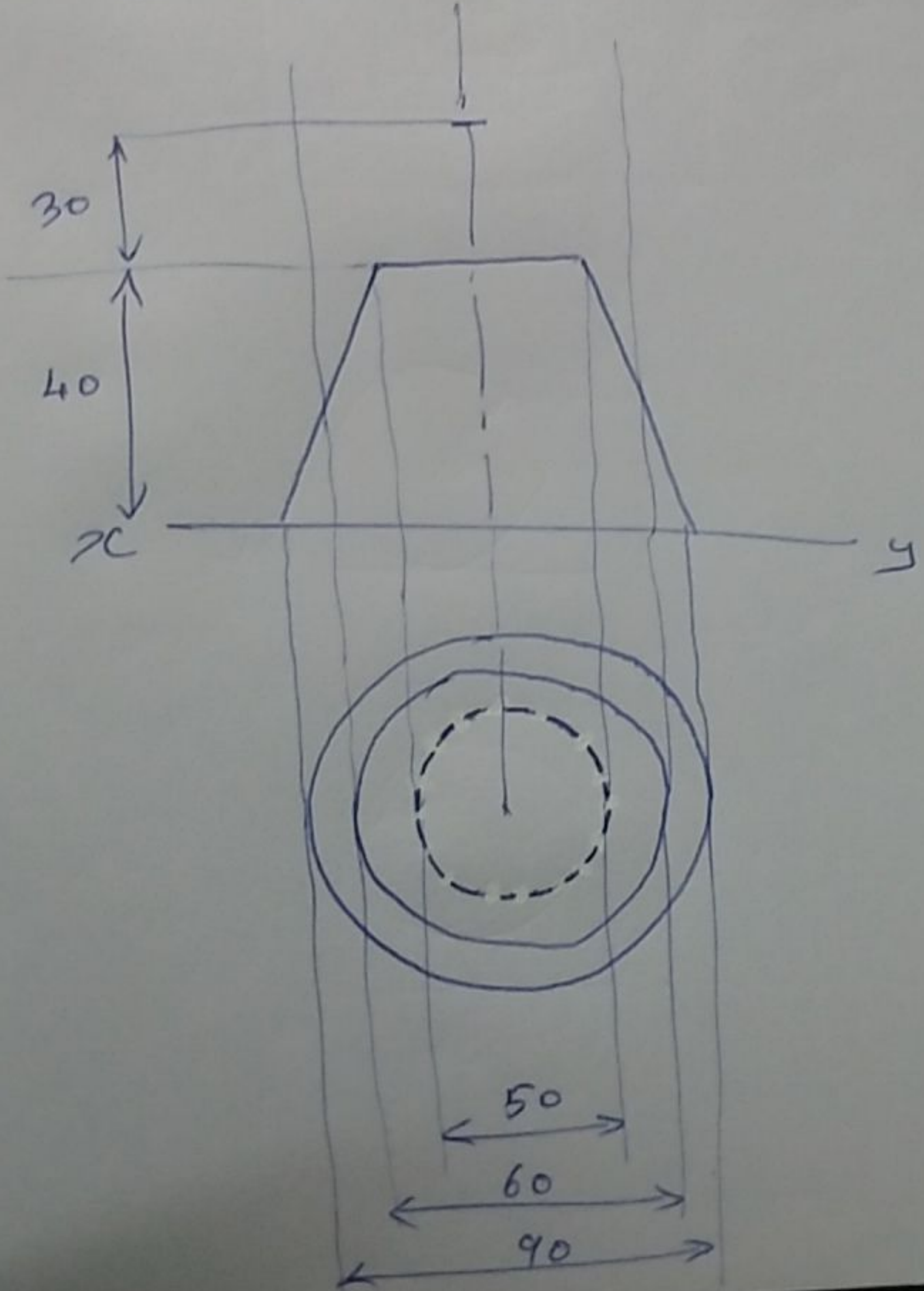
# Isometric View



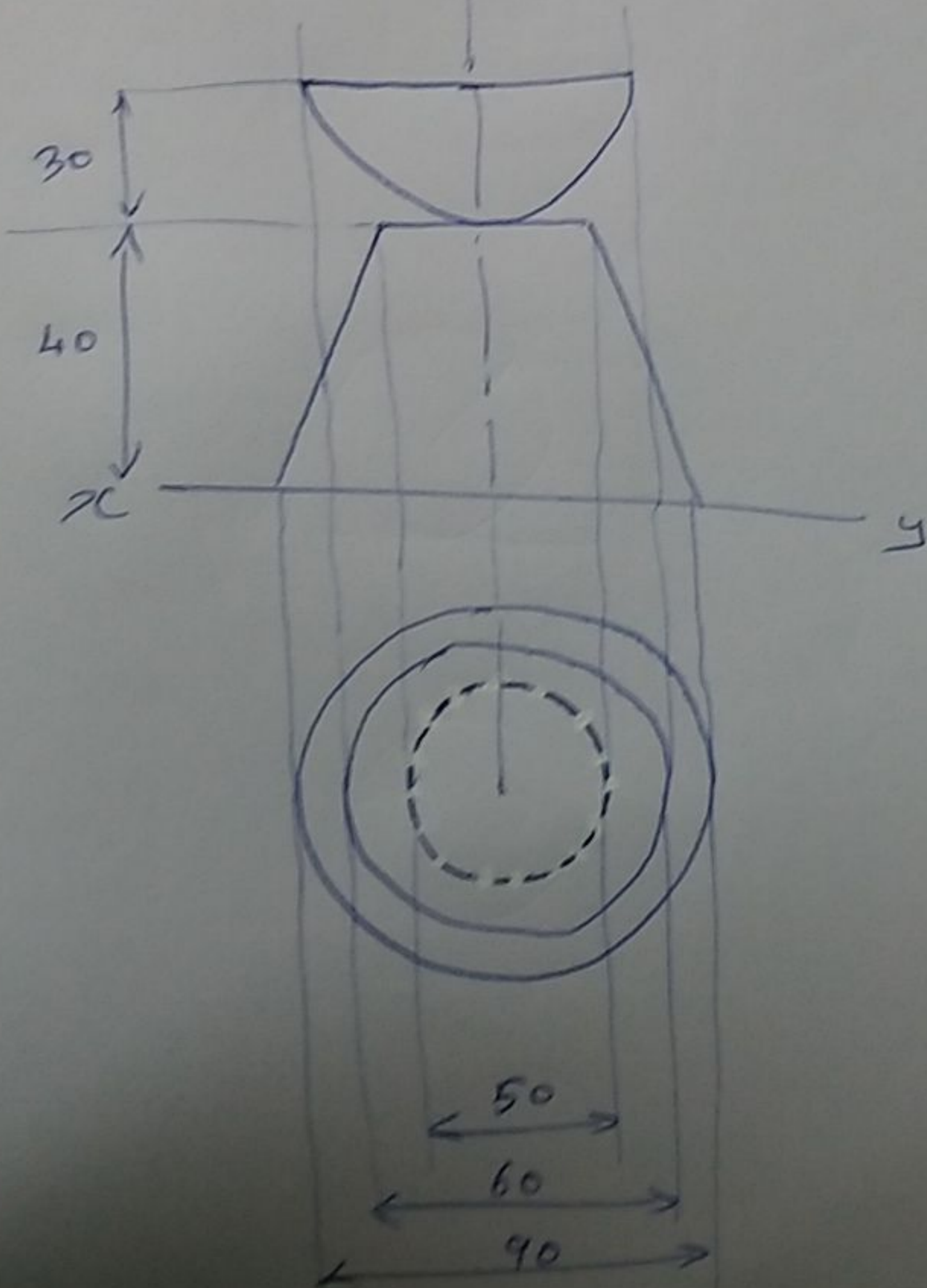
# Isometric View



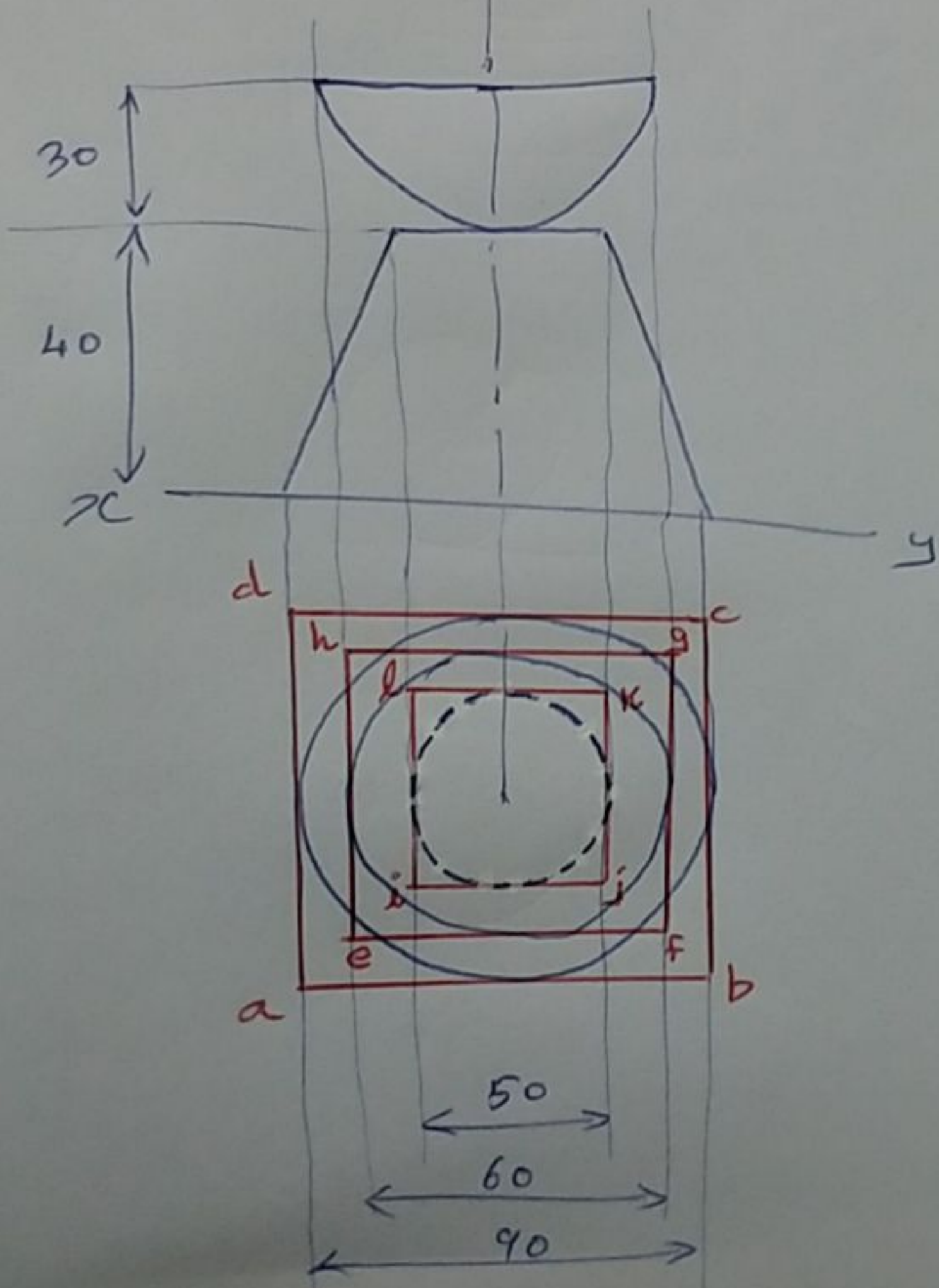
# Isometric View

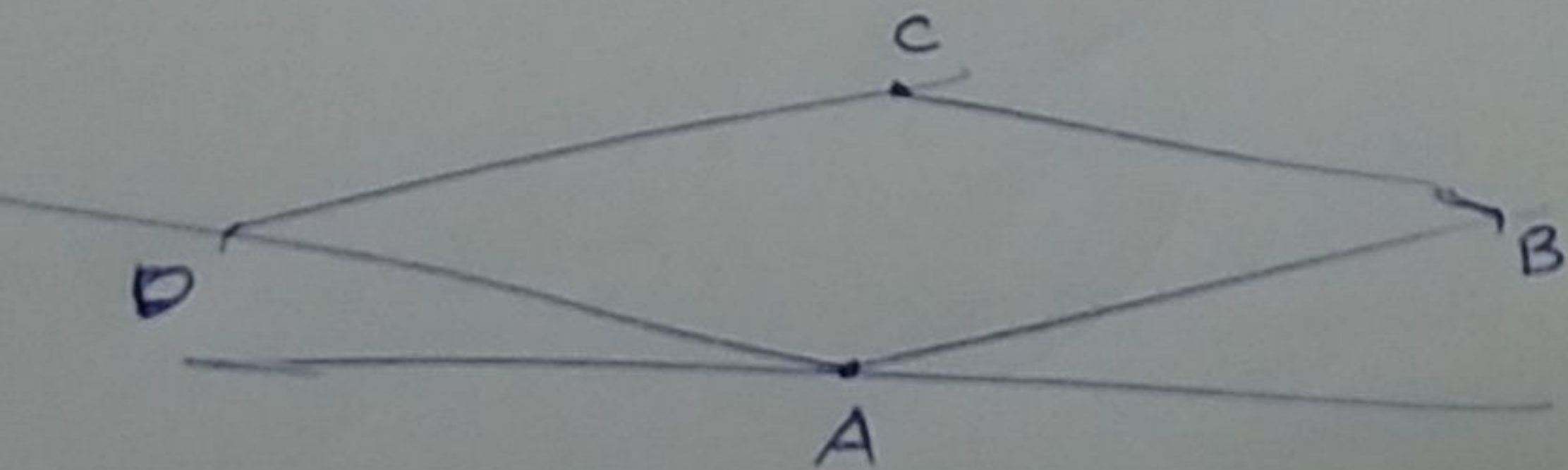


# Isometric View

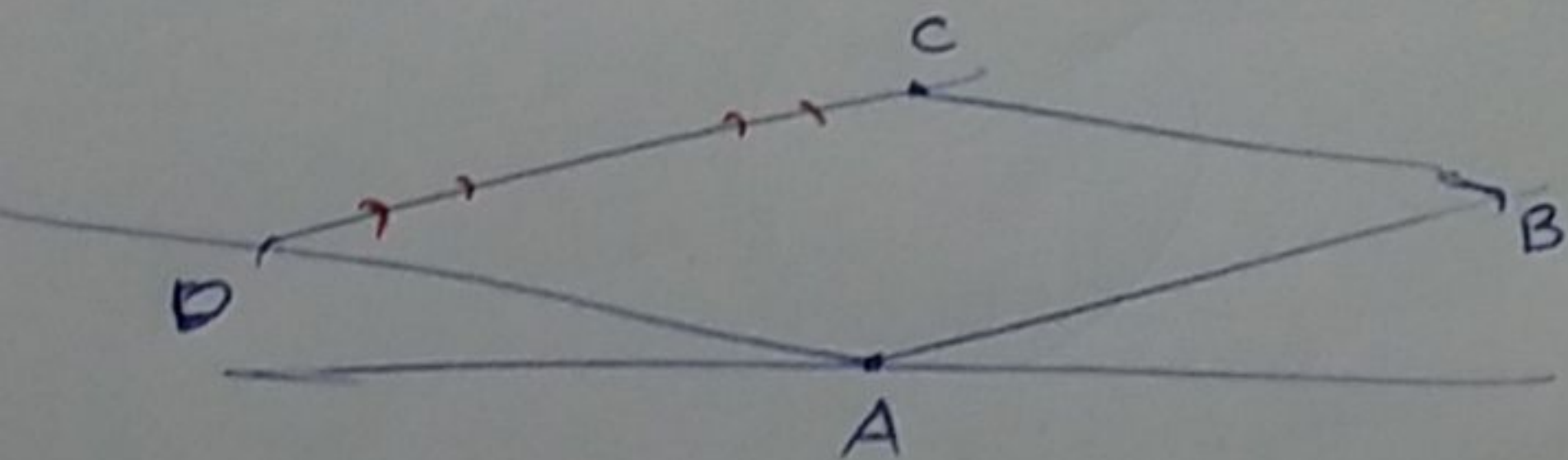


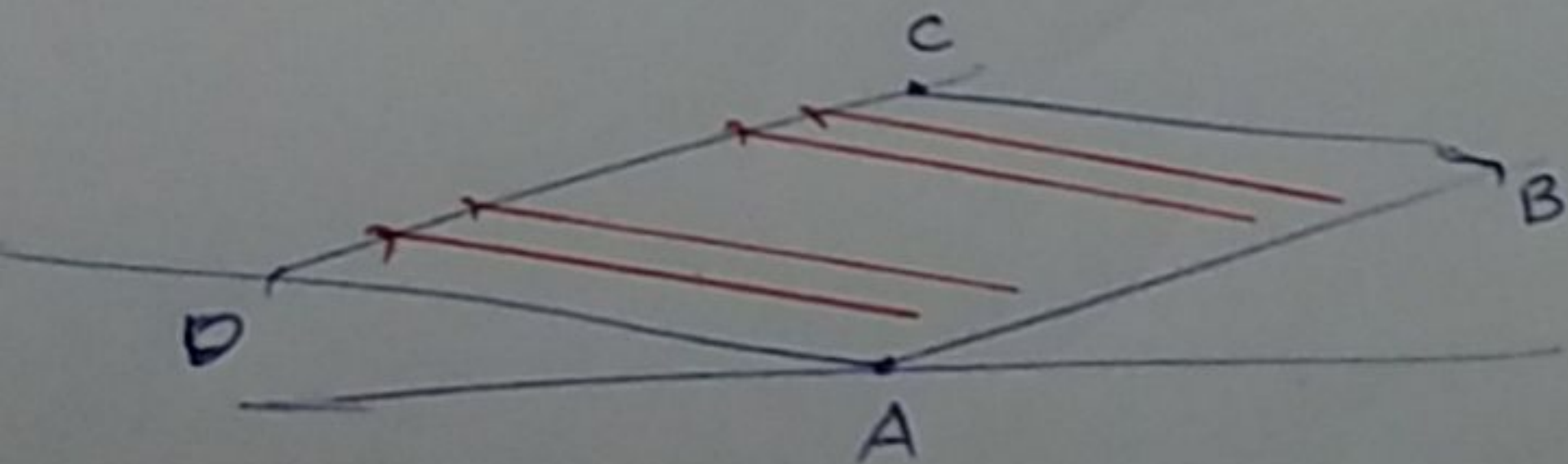
# Isometric View

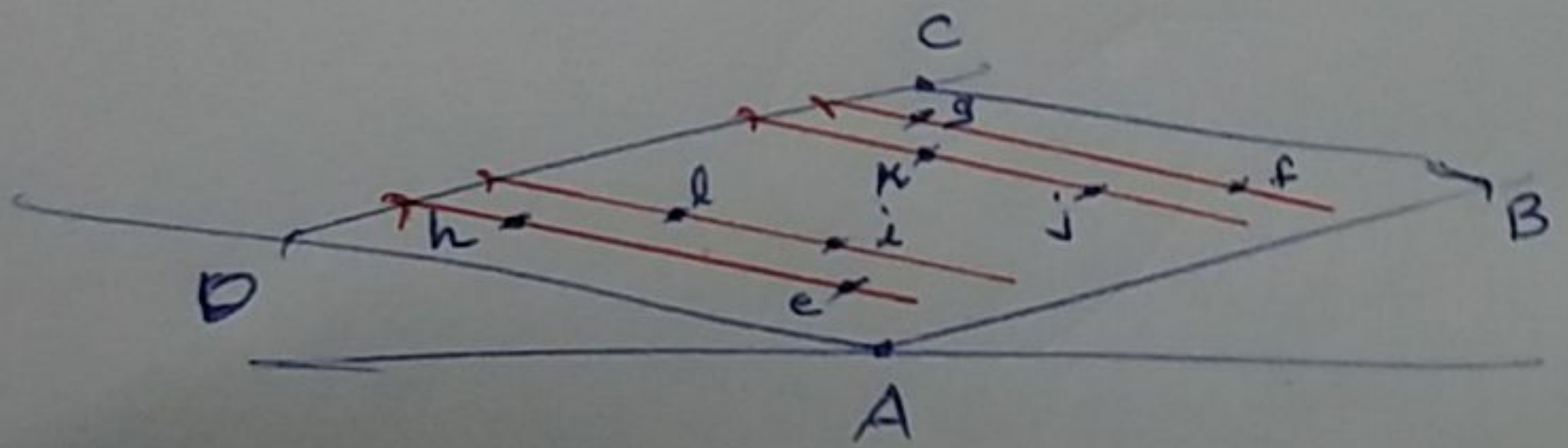




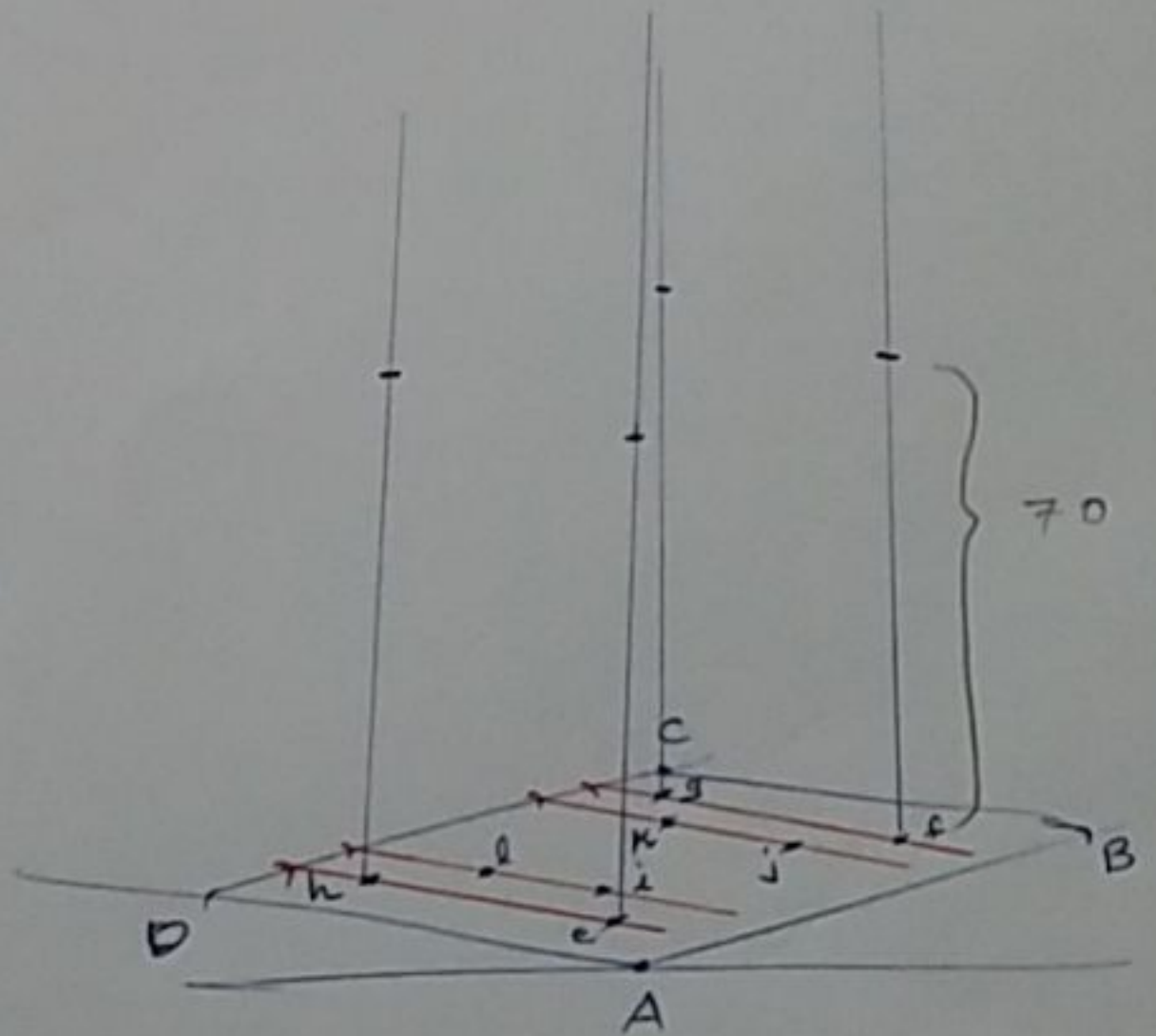
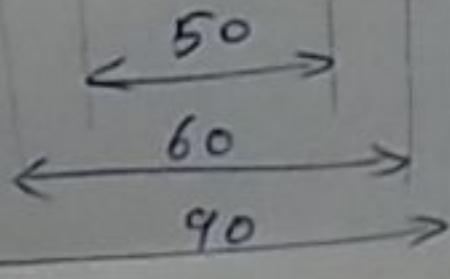
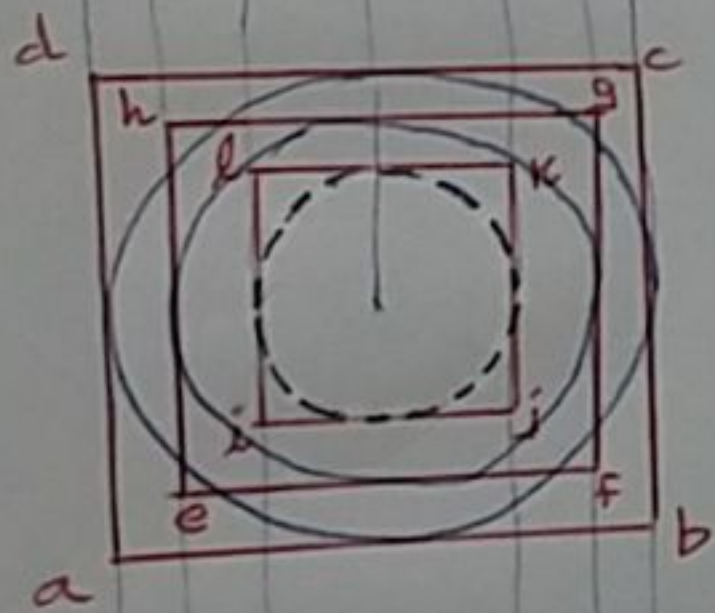
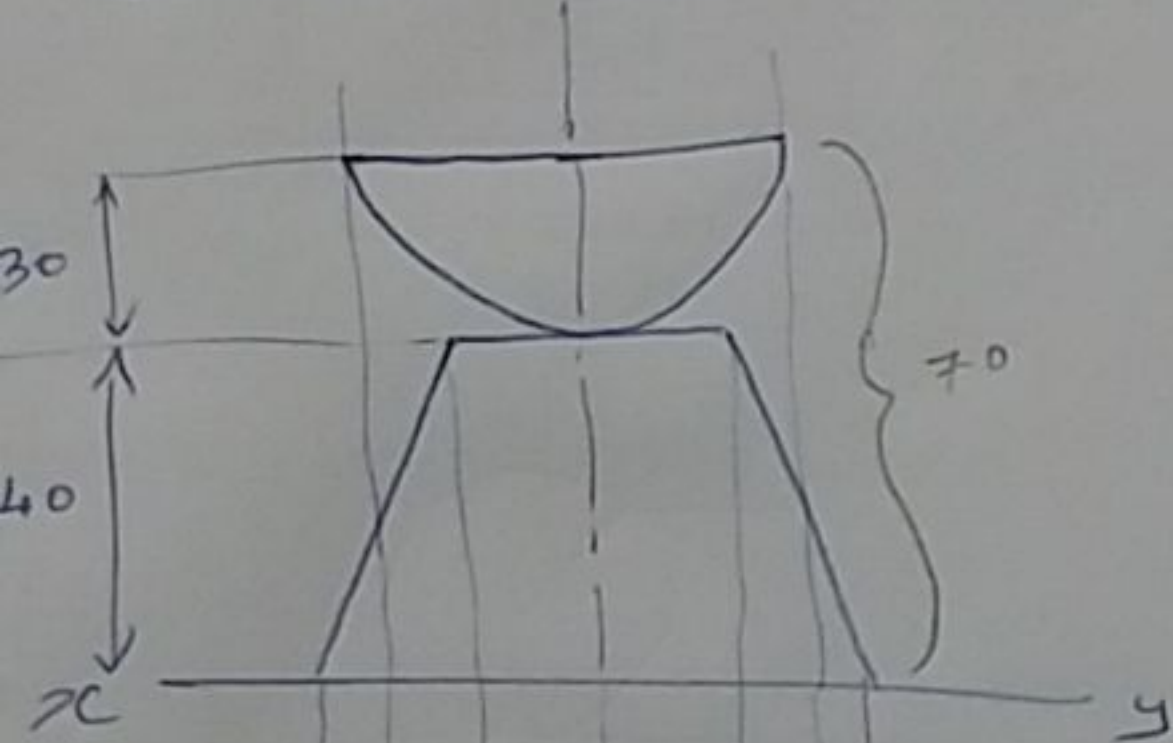




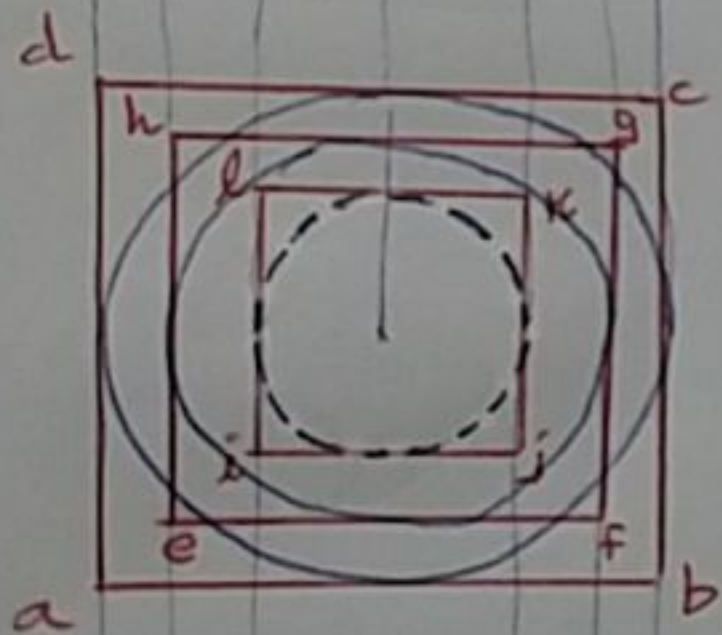
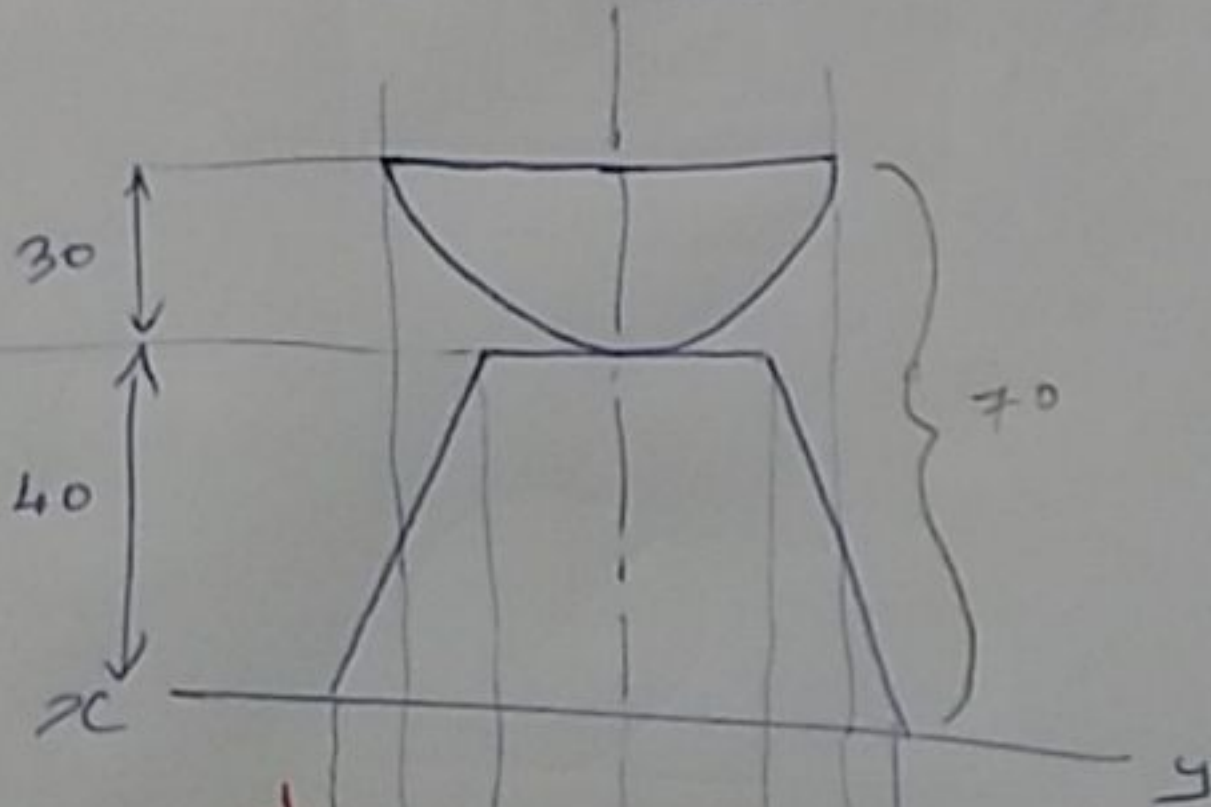




# Isometric View



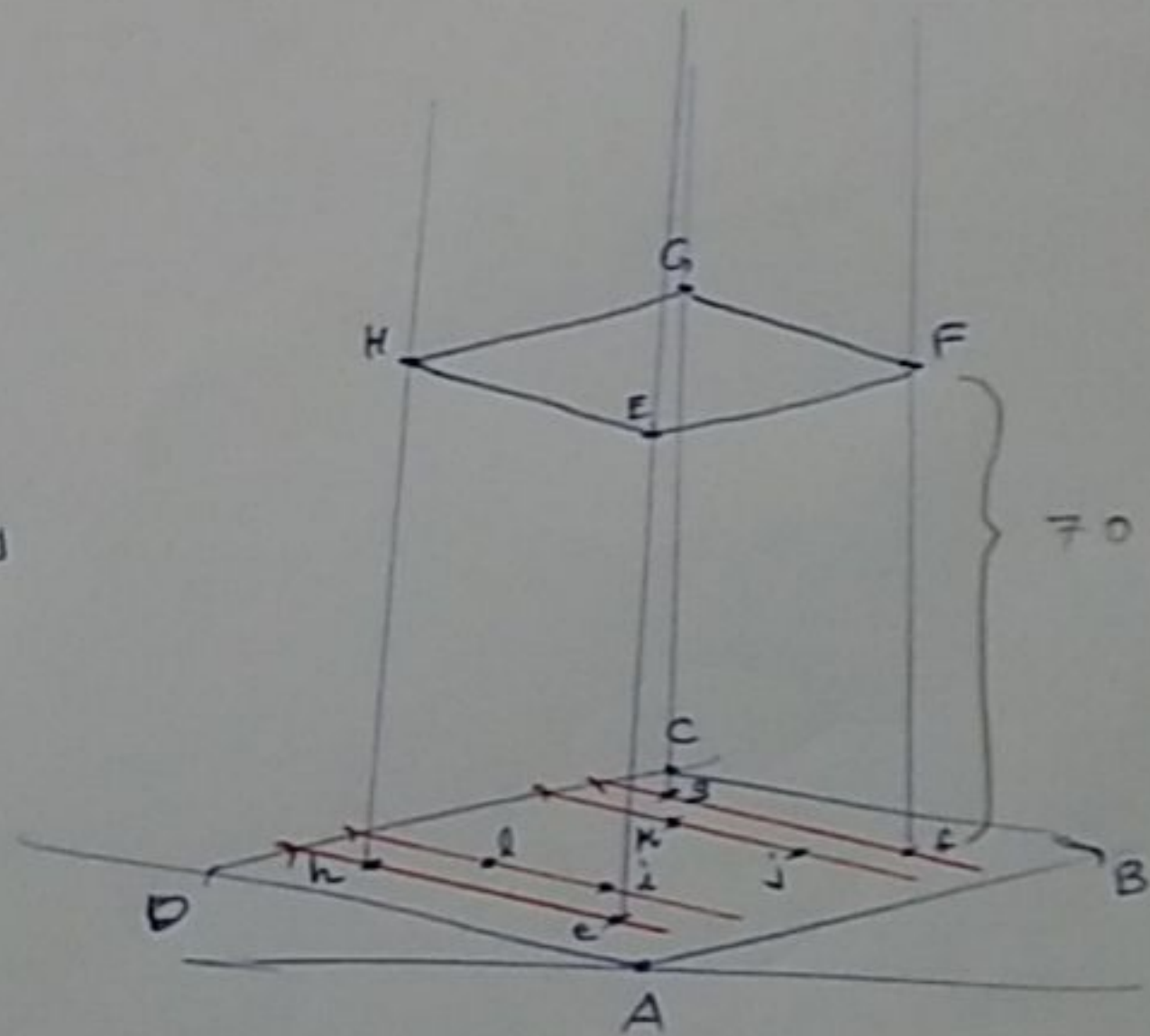
# Isometric View



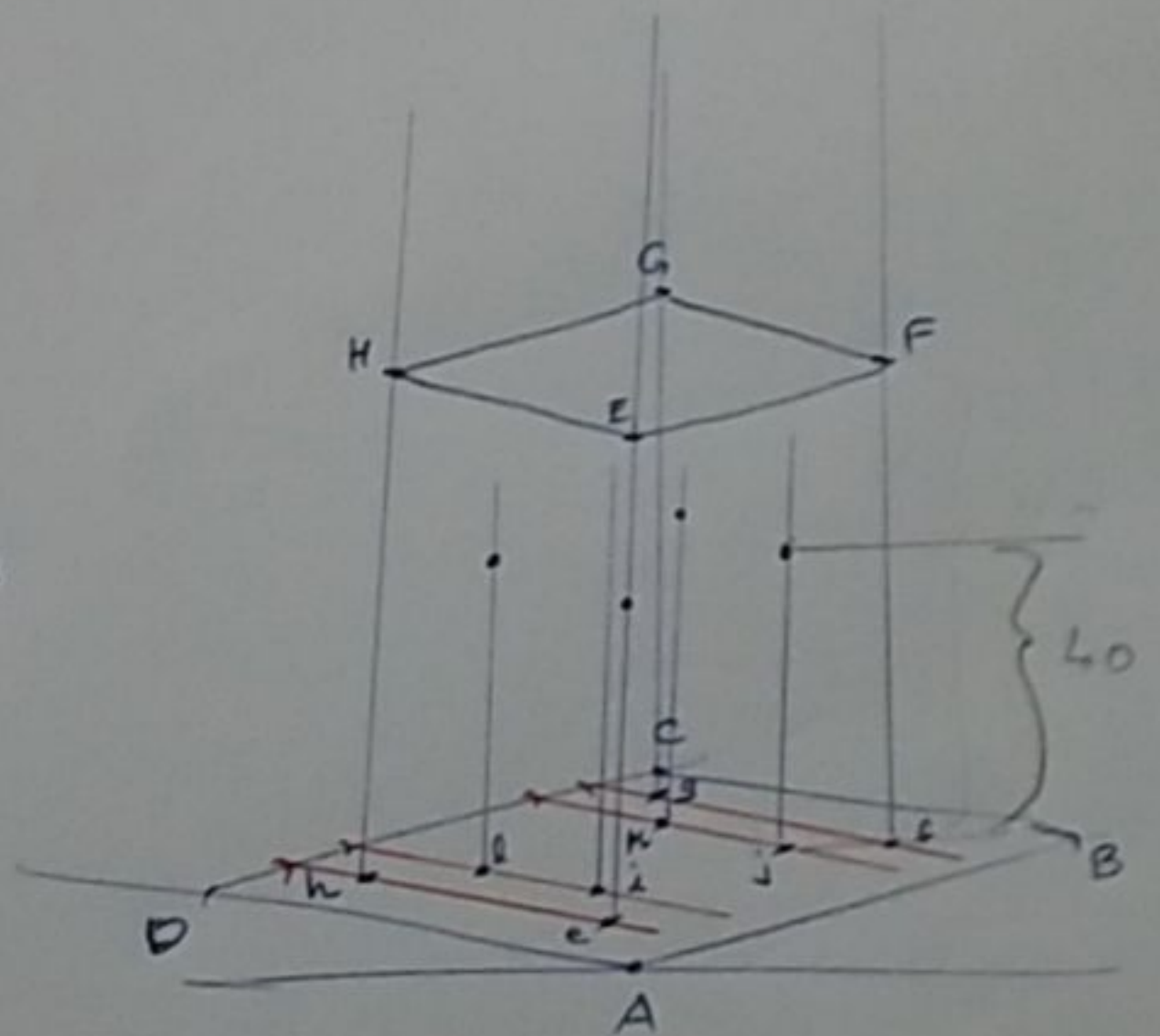
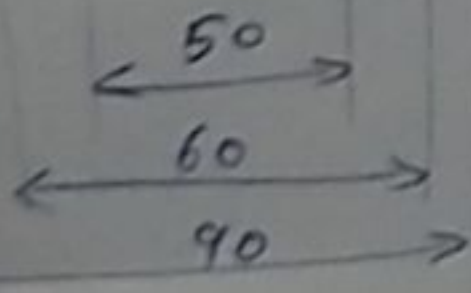
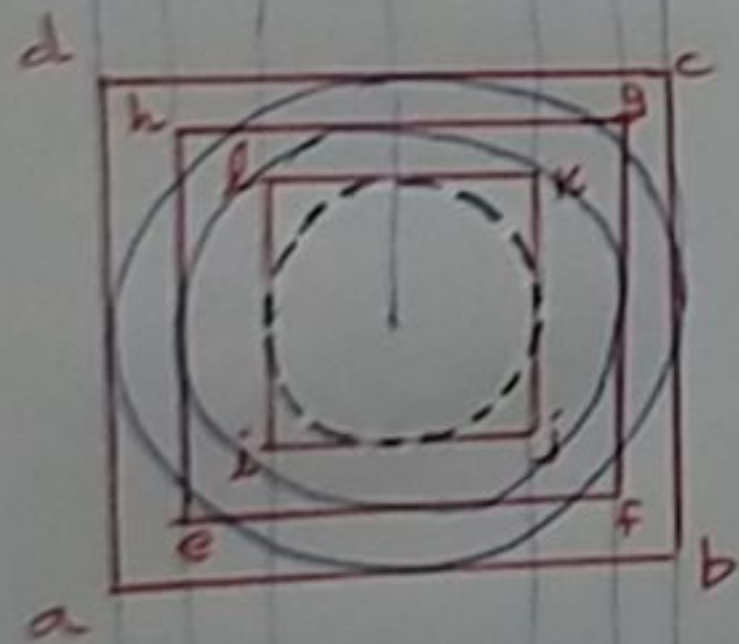
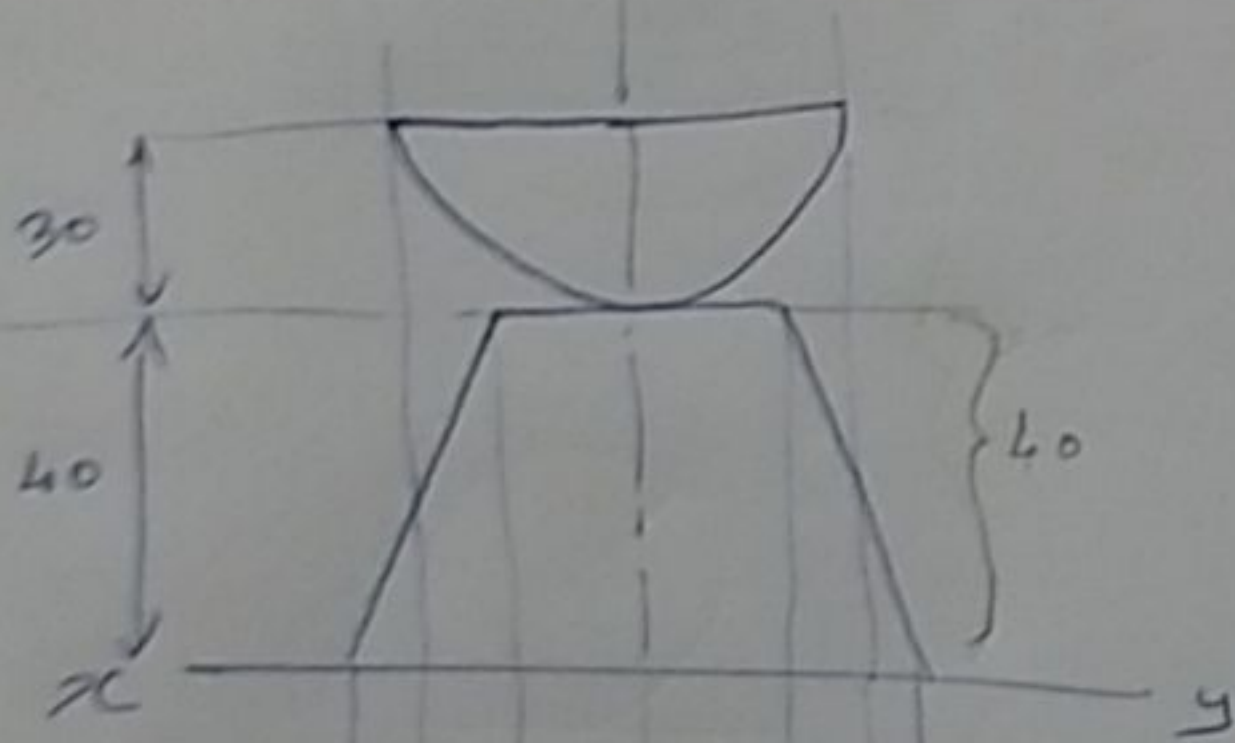
50

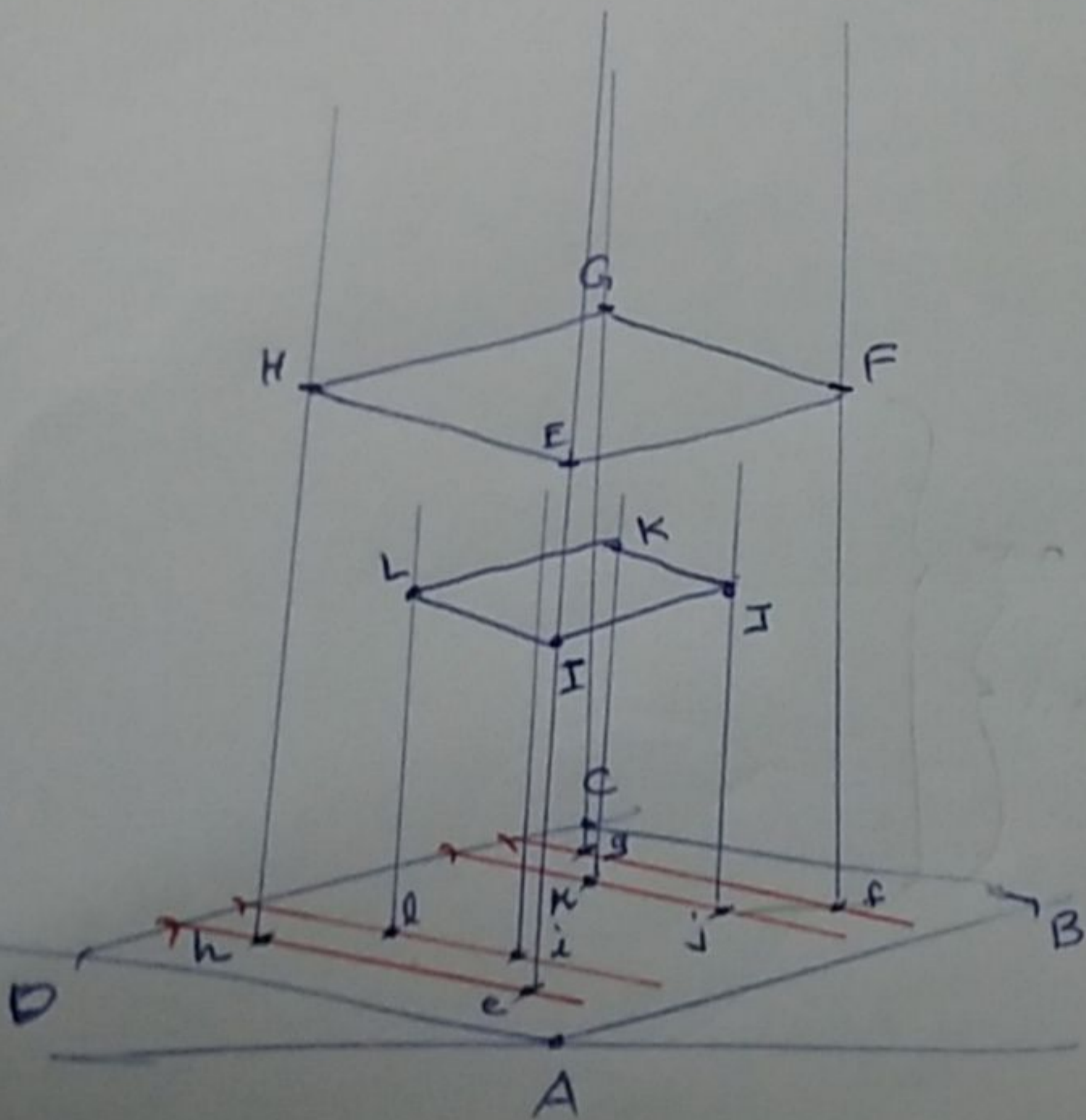
60

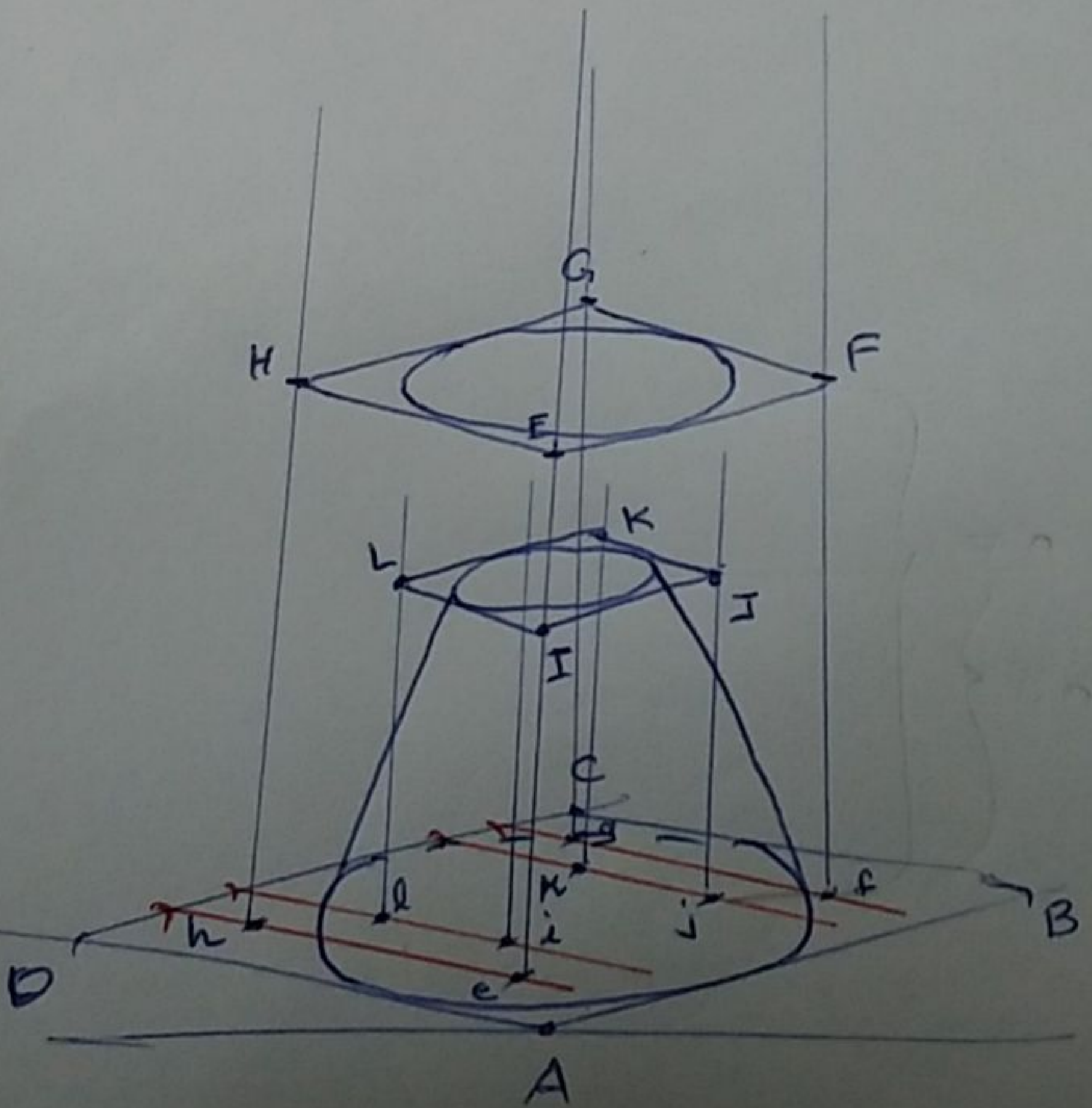
90



# Isometric View

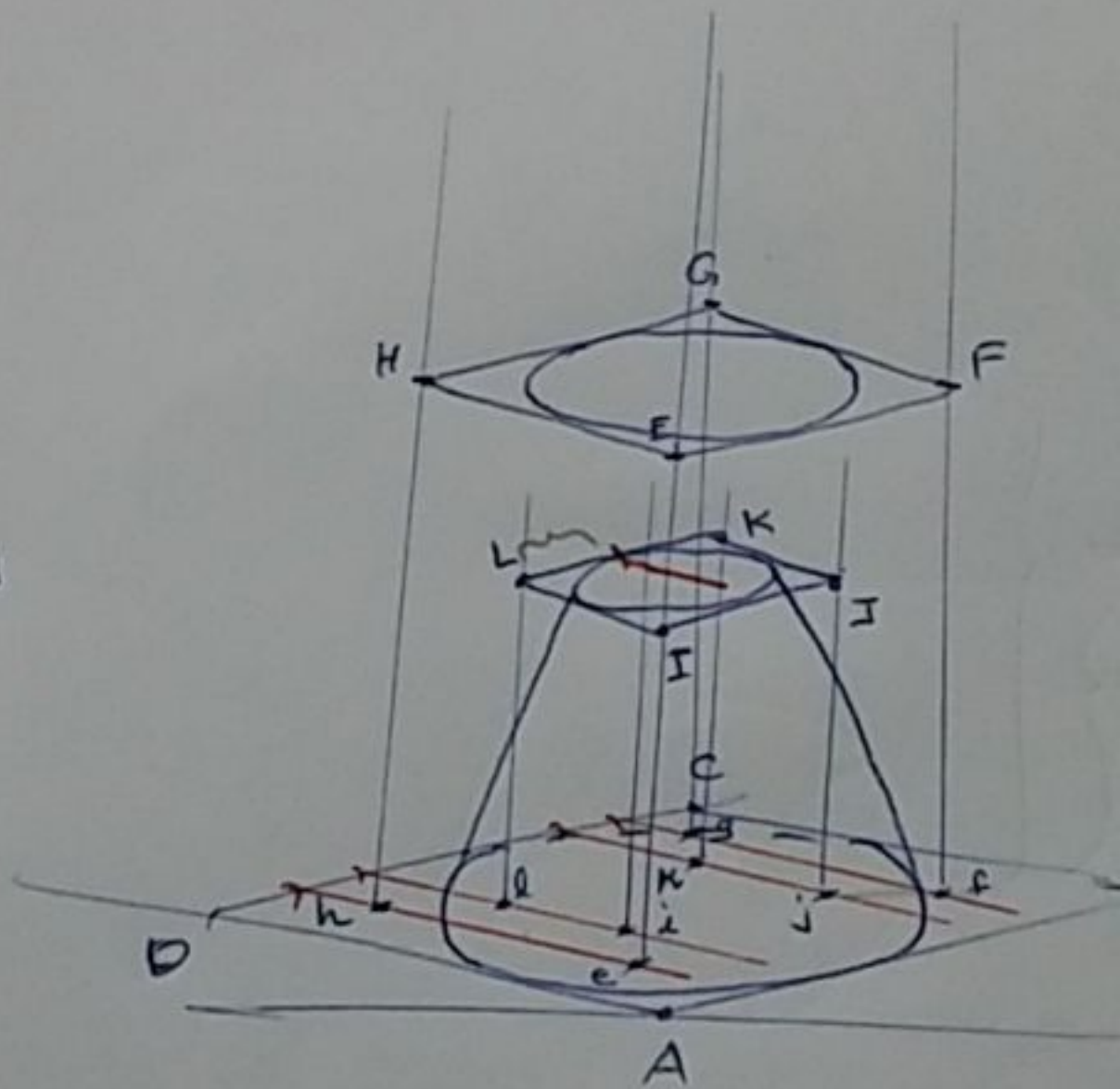
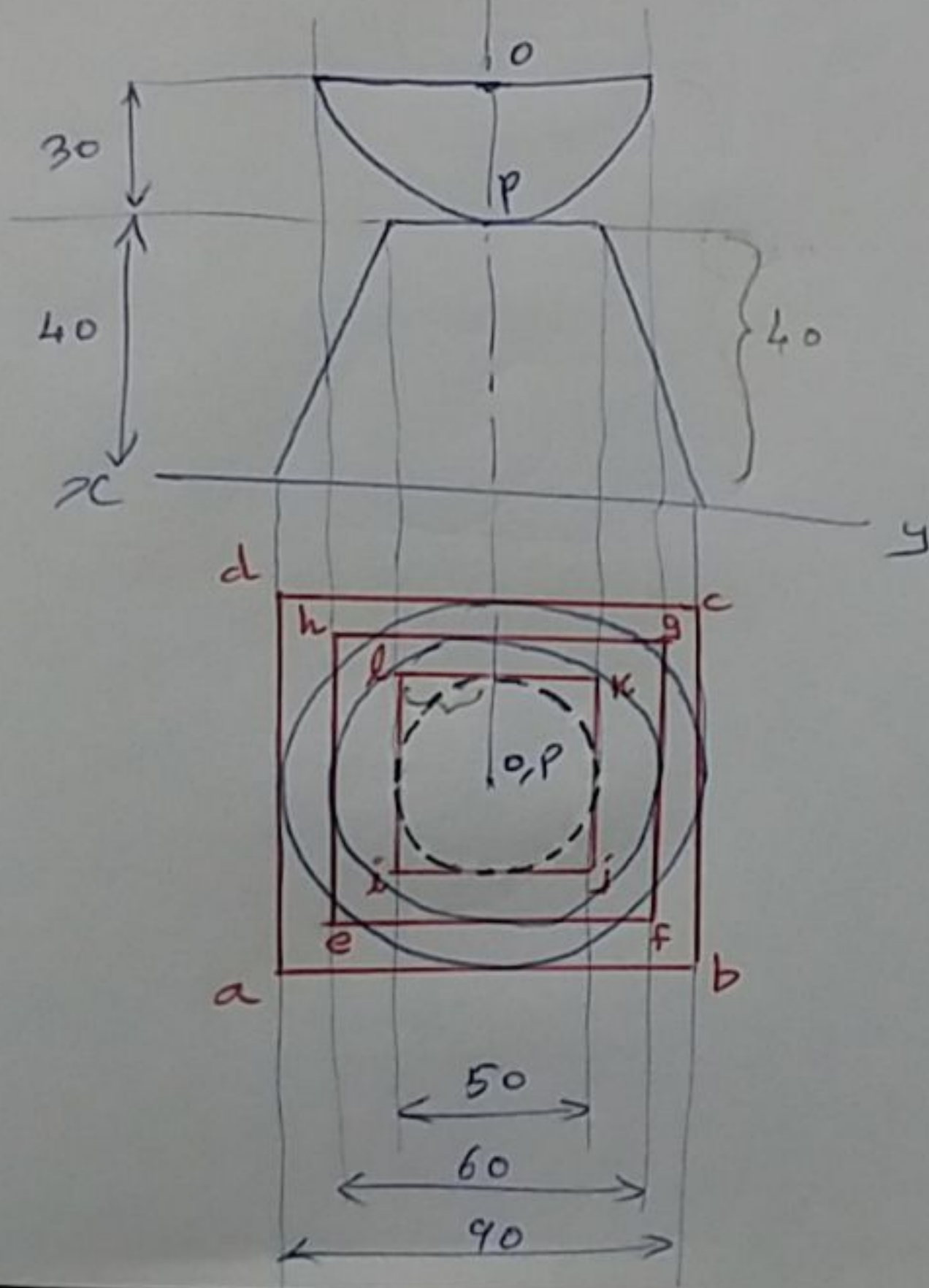




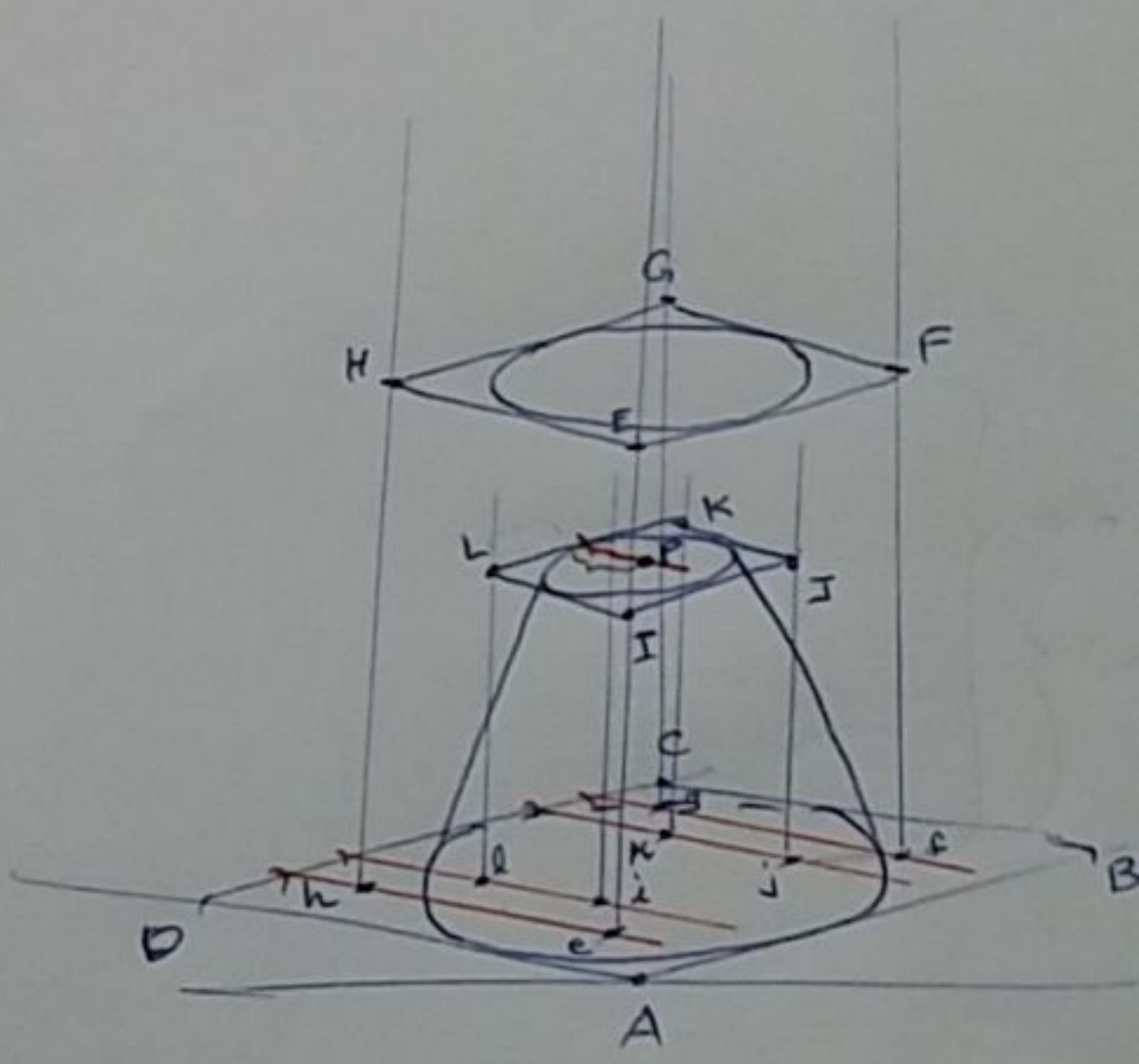
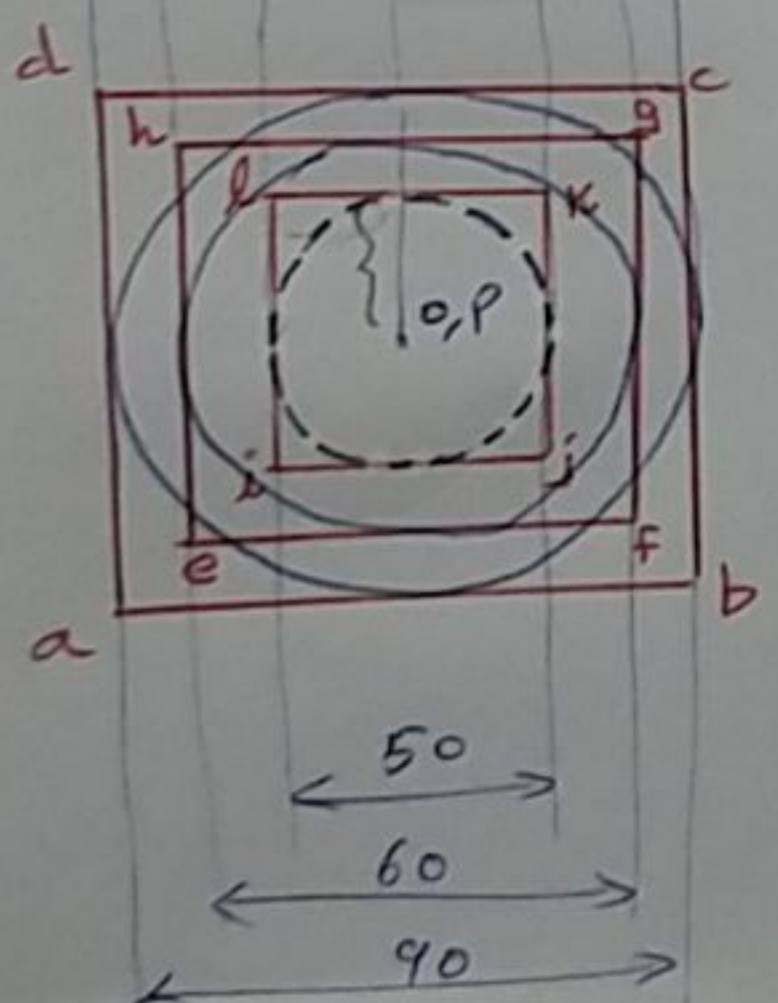
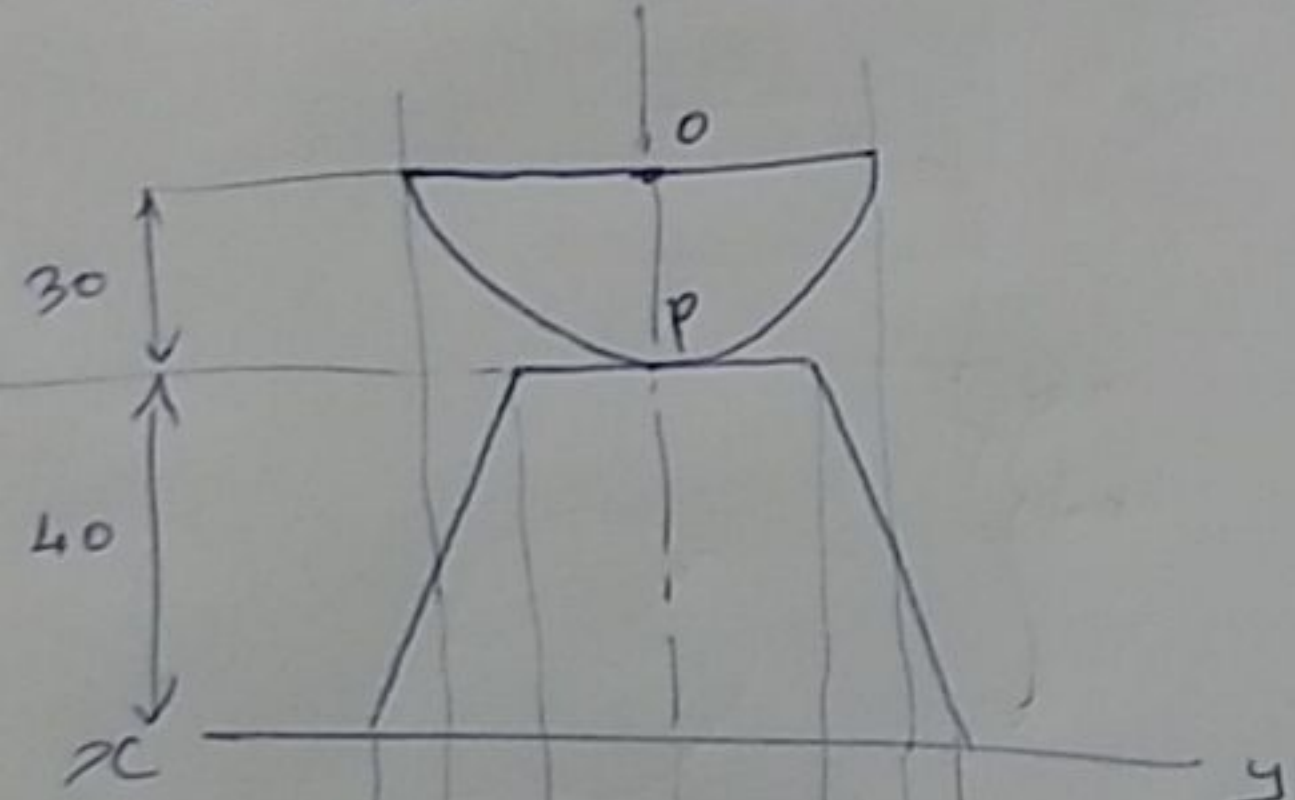




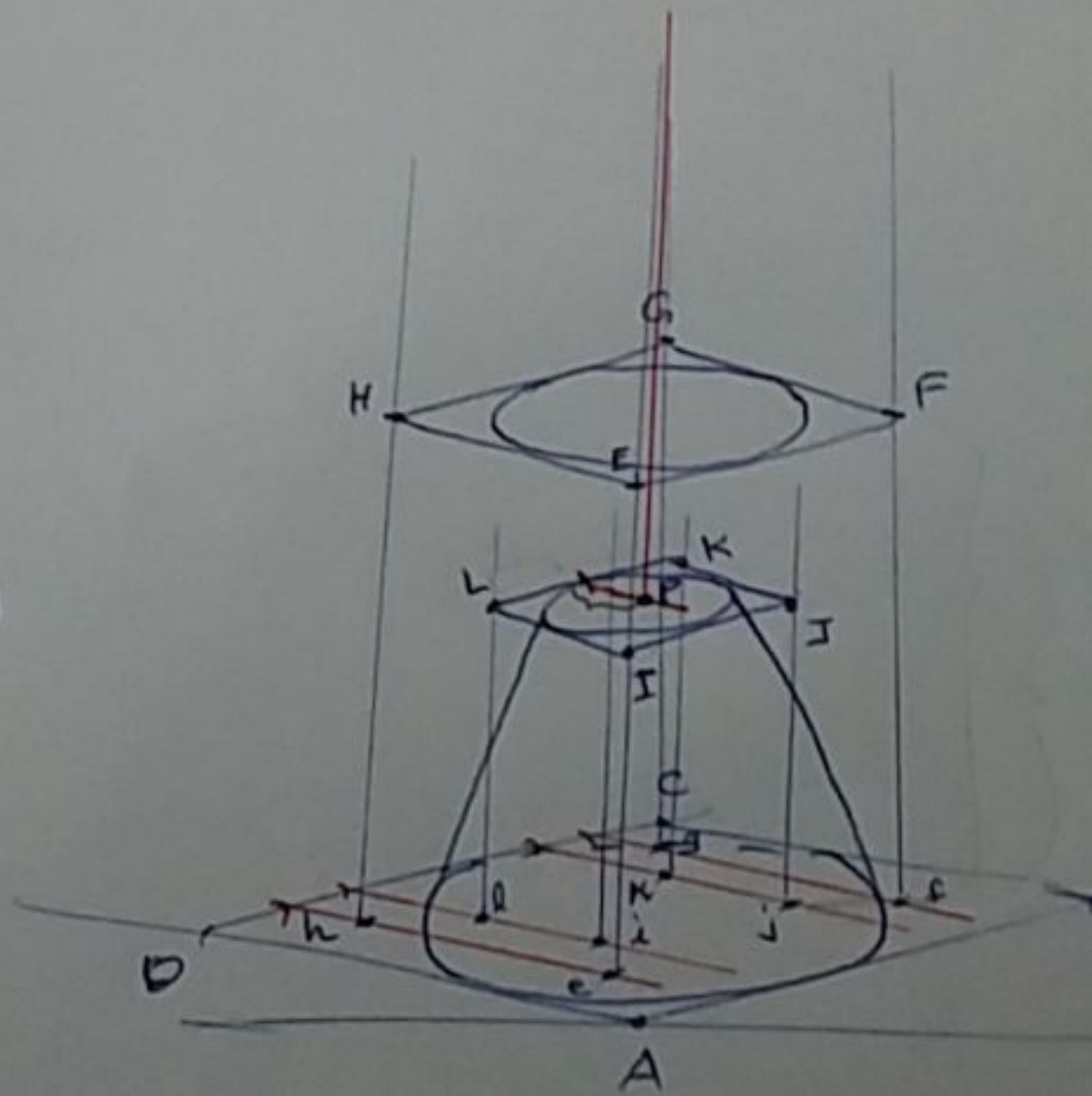
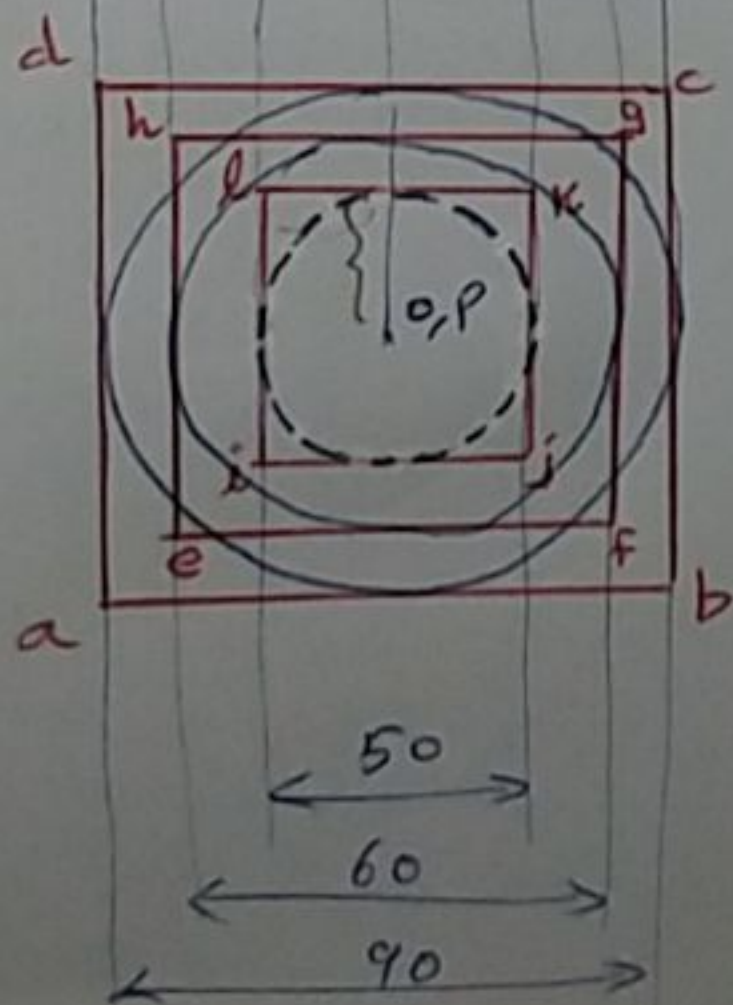
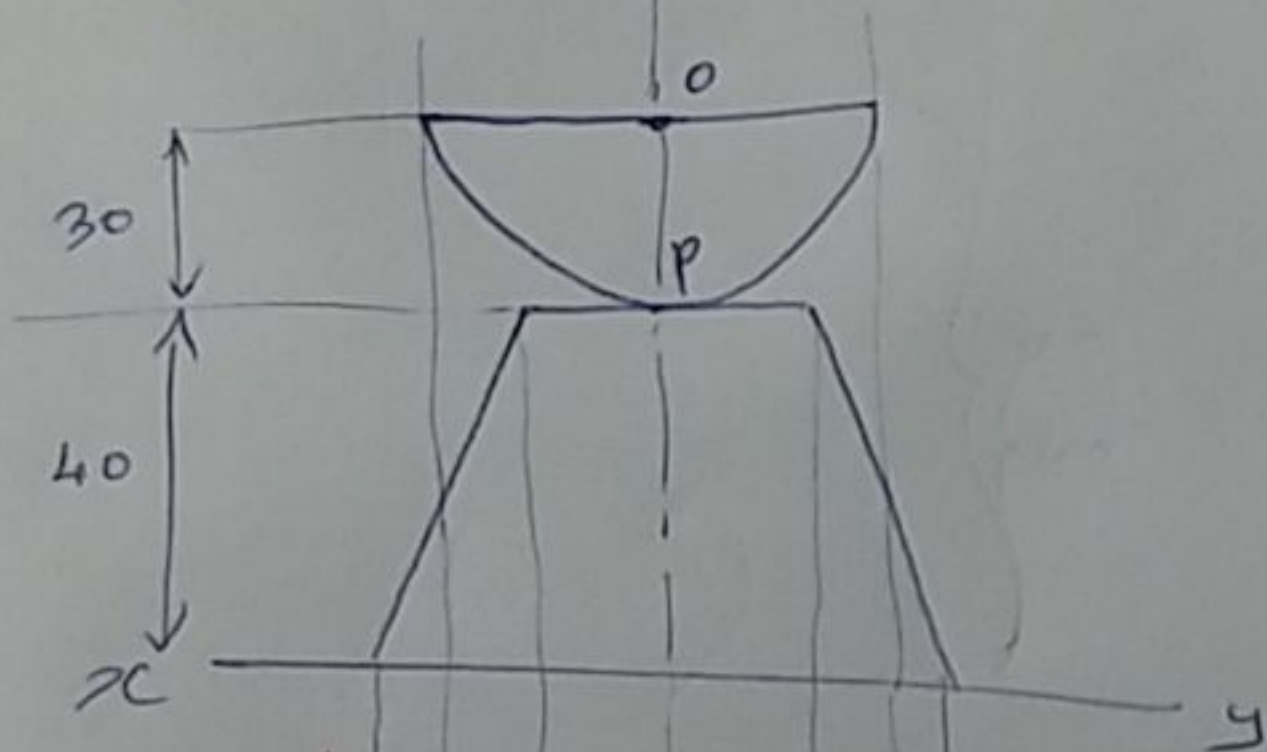
# Isometric View



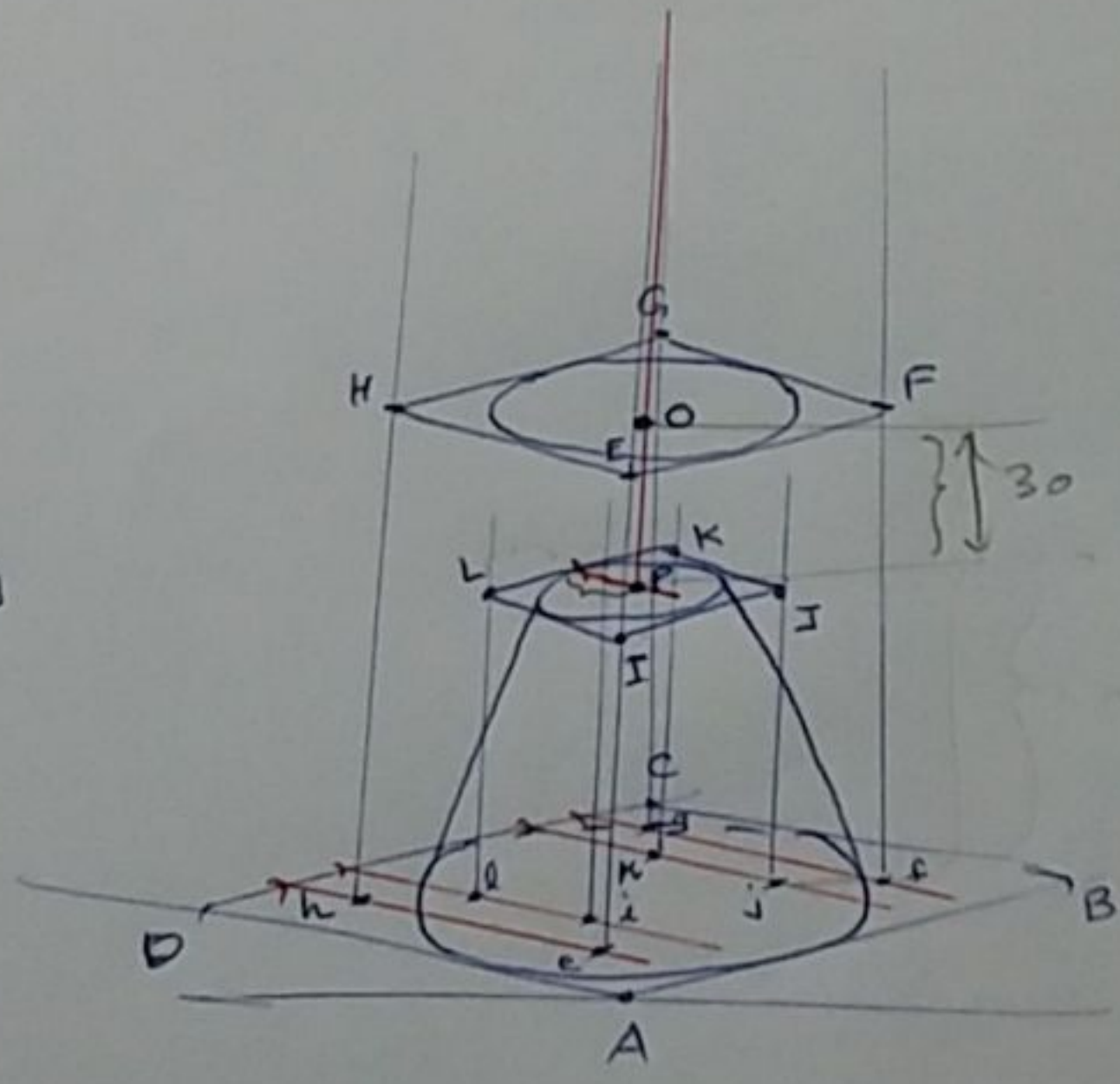
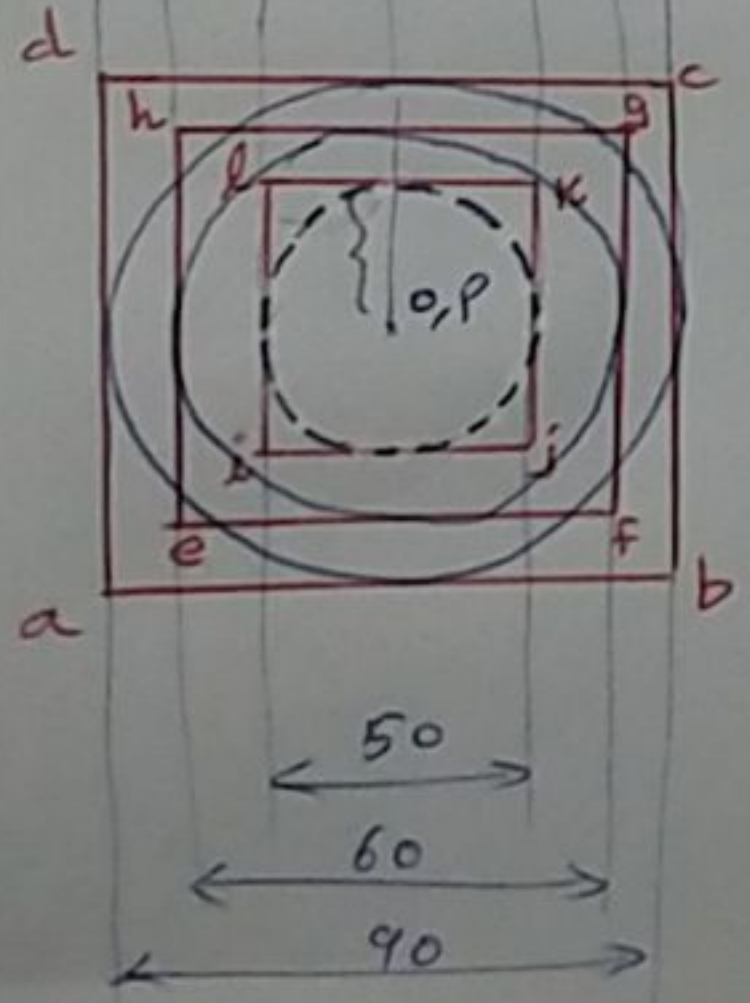
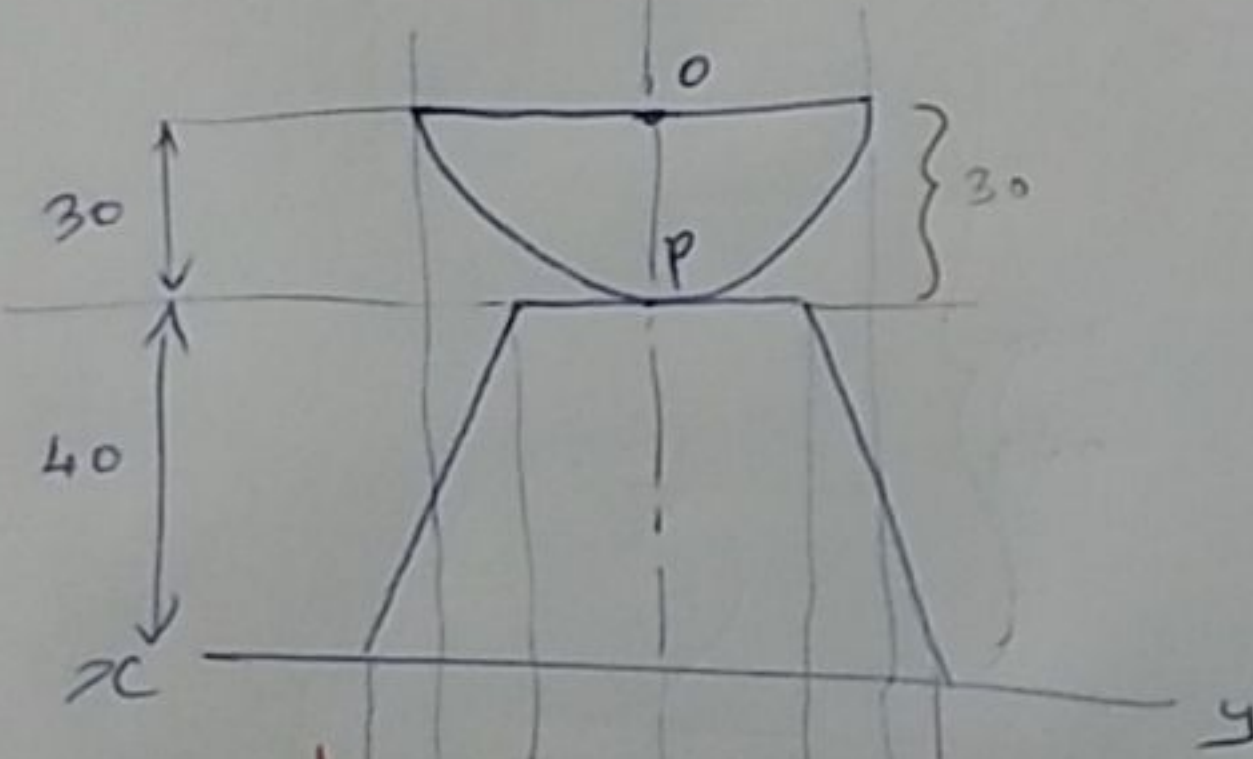
# Isometric View

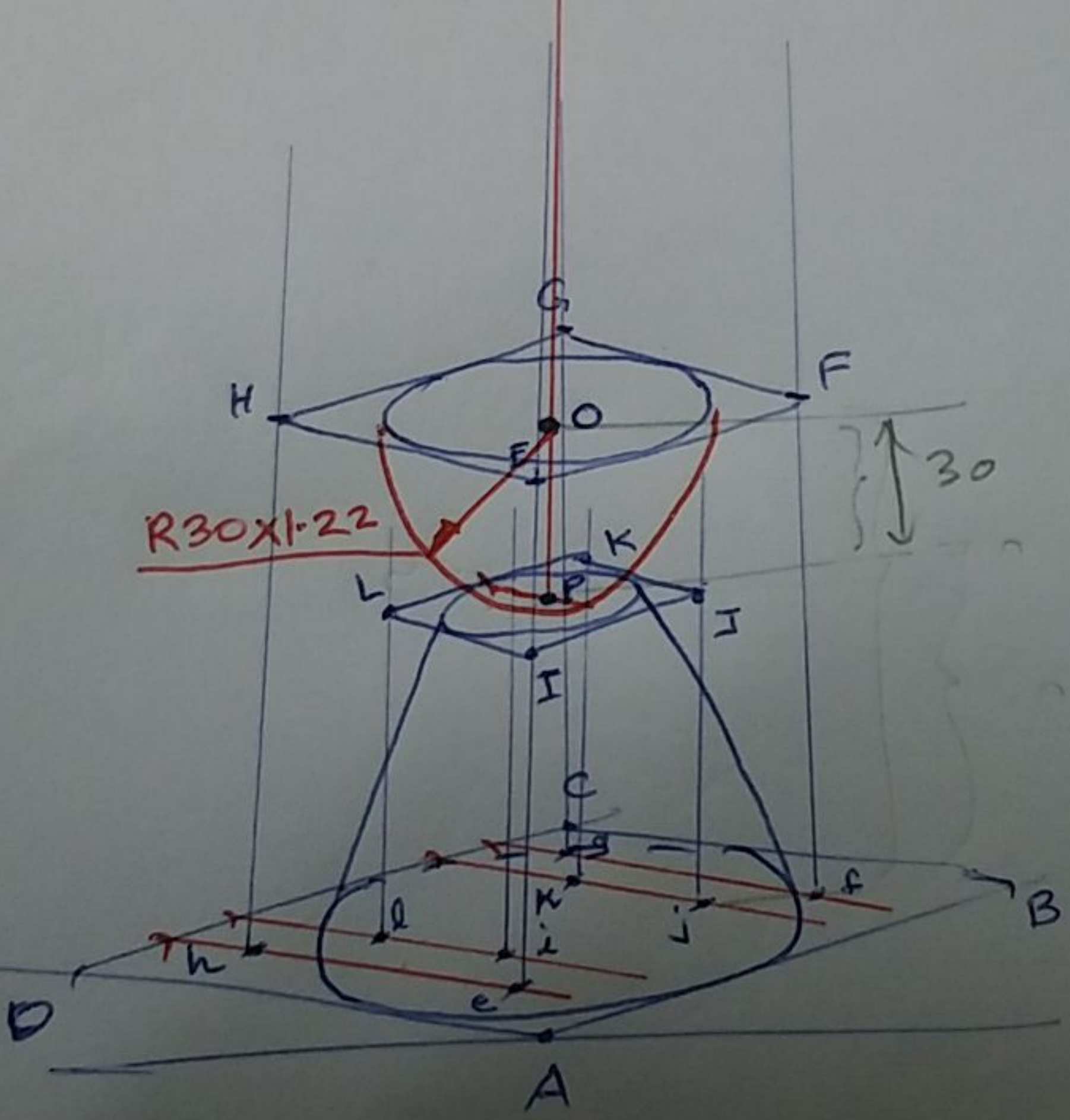


# Isometric View



# Isometric View





R30 x 1-22

30

D

A

B

H

H

G

O

F

K

L

H

I

C

K

L

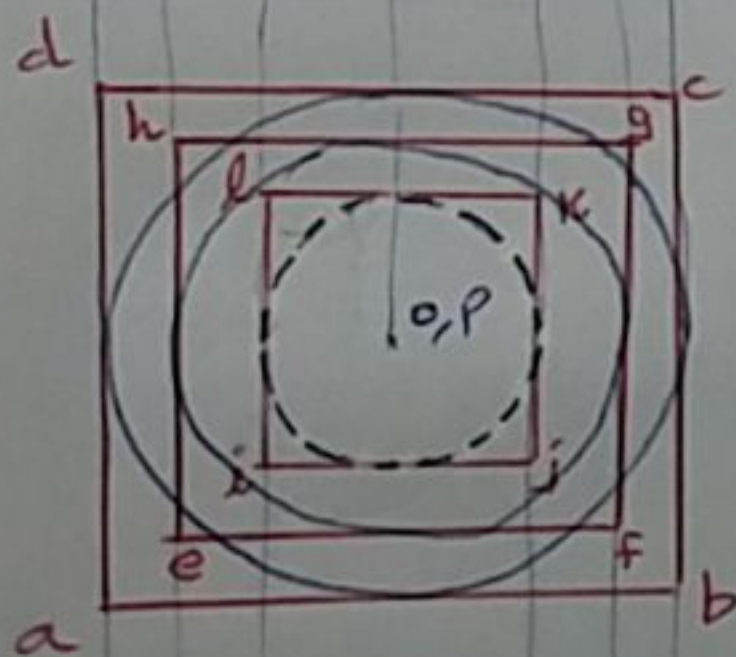
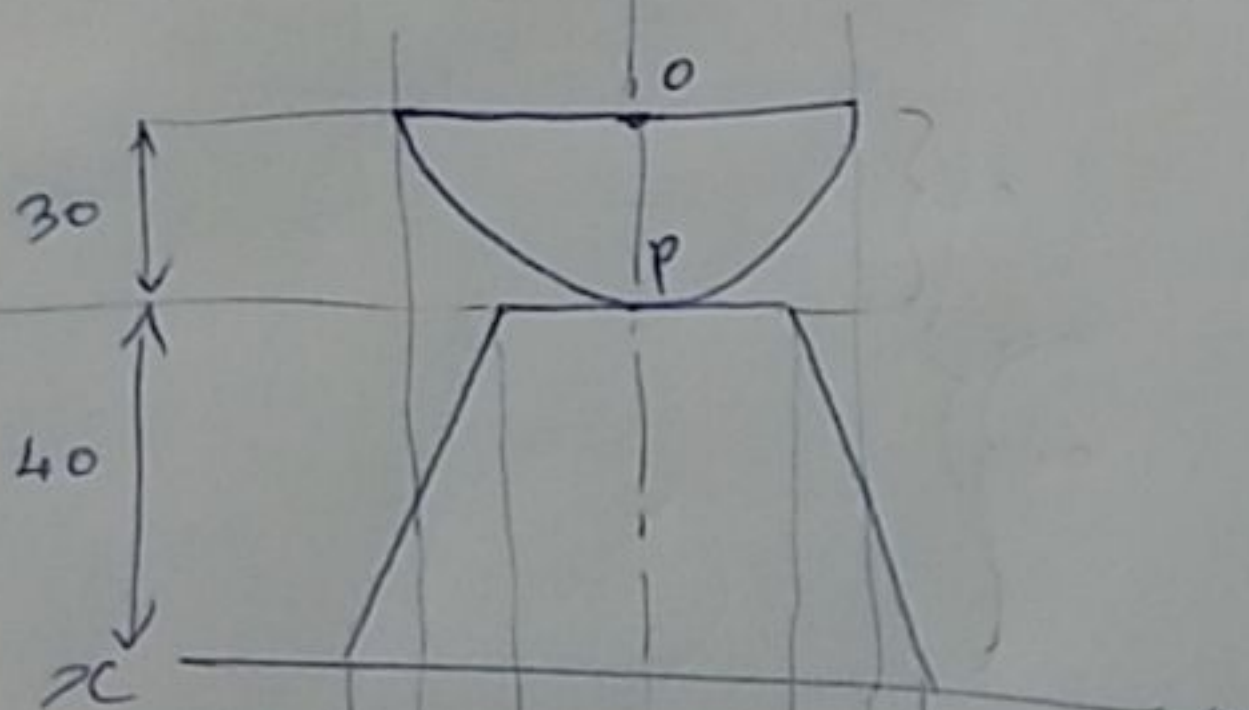
F

e

q

h

# Isometric View

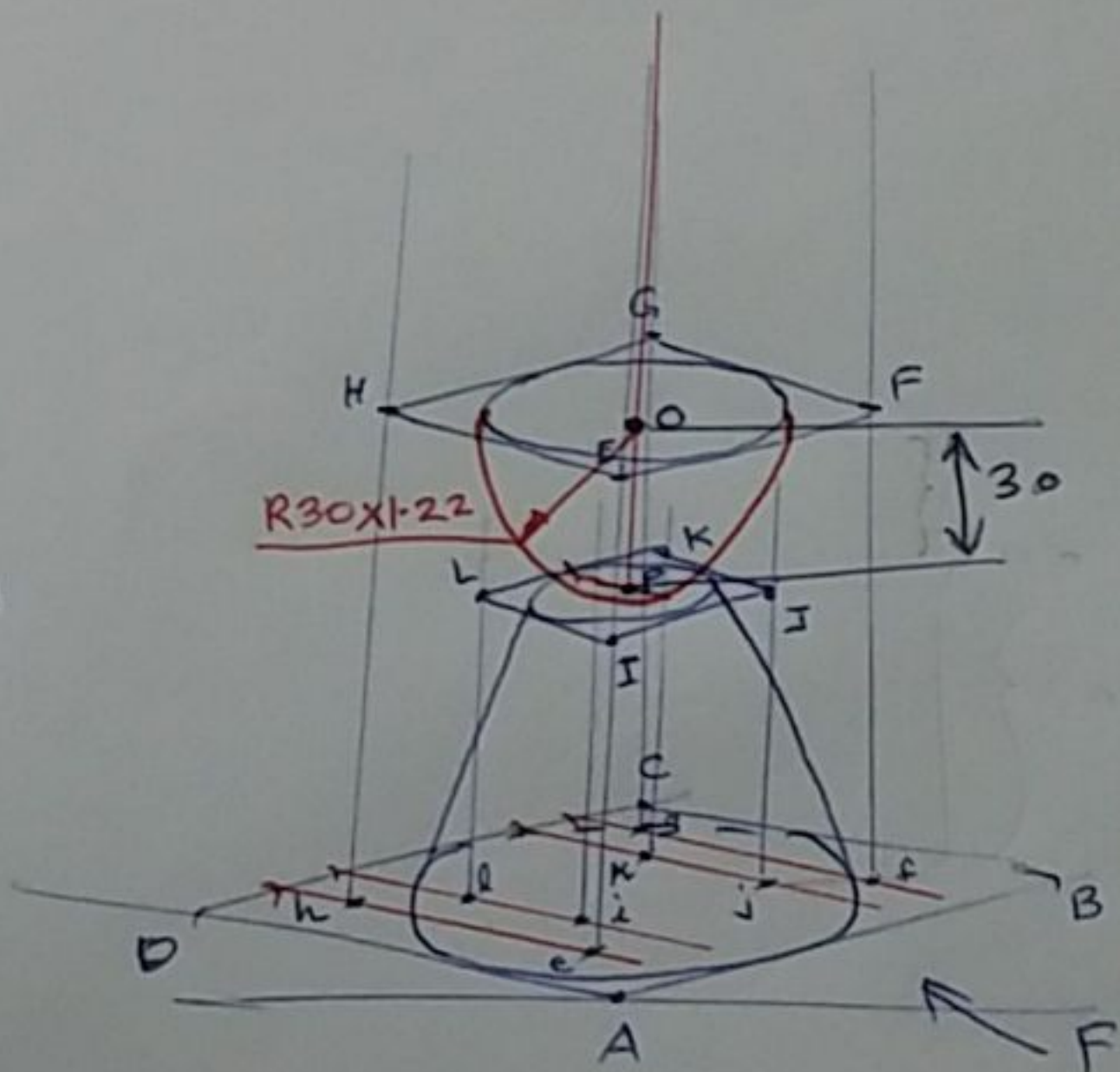


50

60

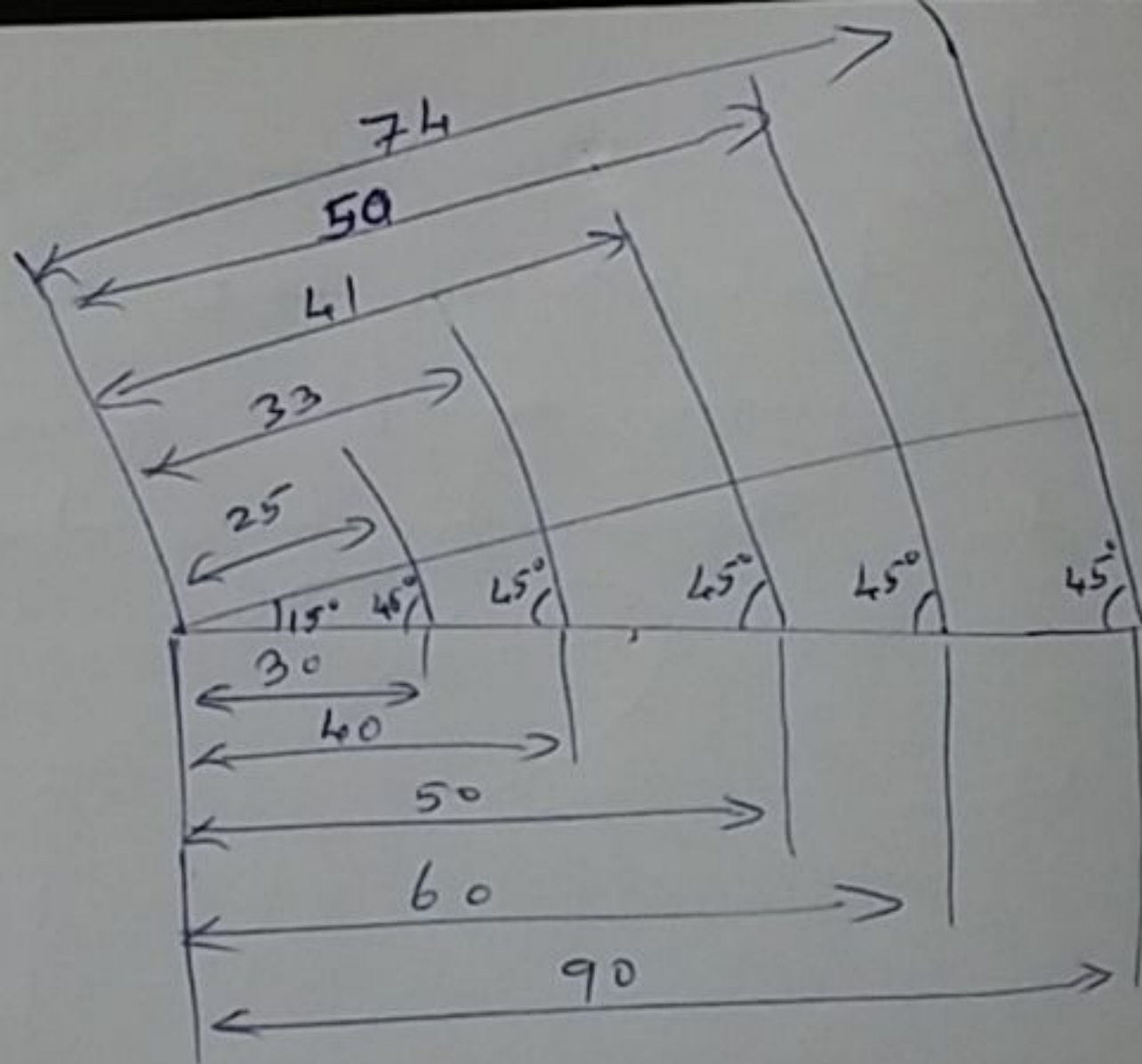
90

Ortho. proj.

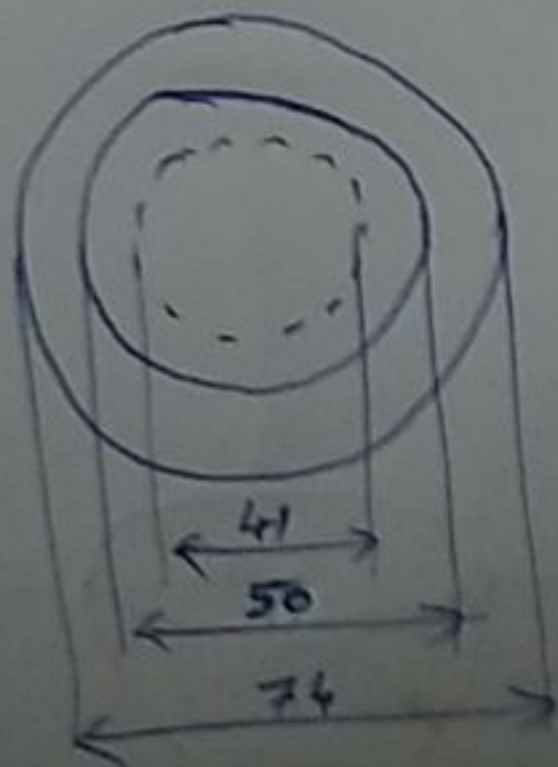


Iso. View

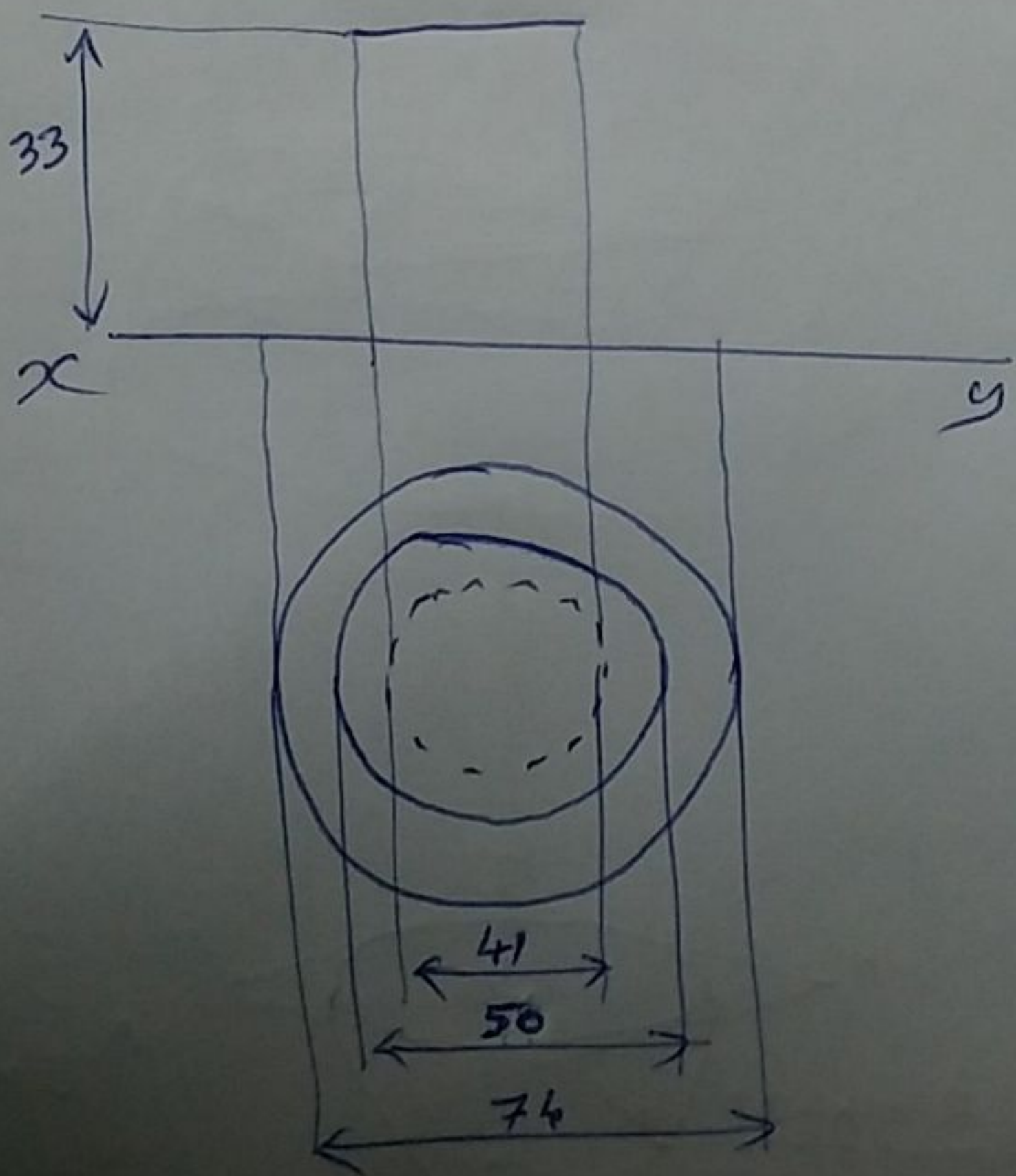
# Isometric projection

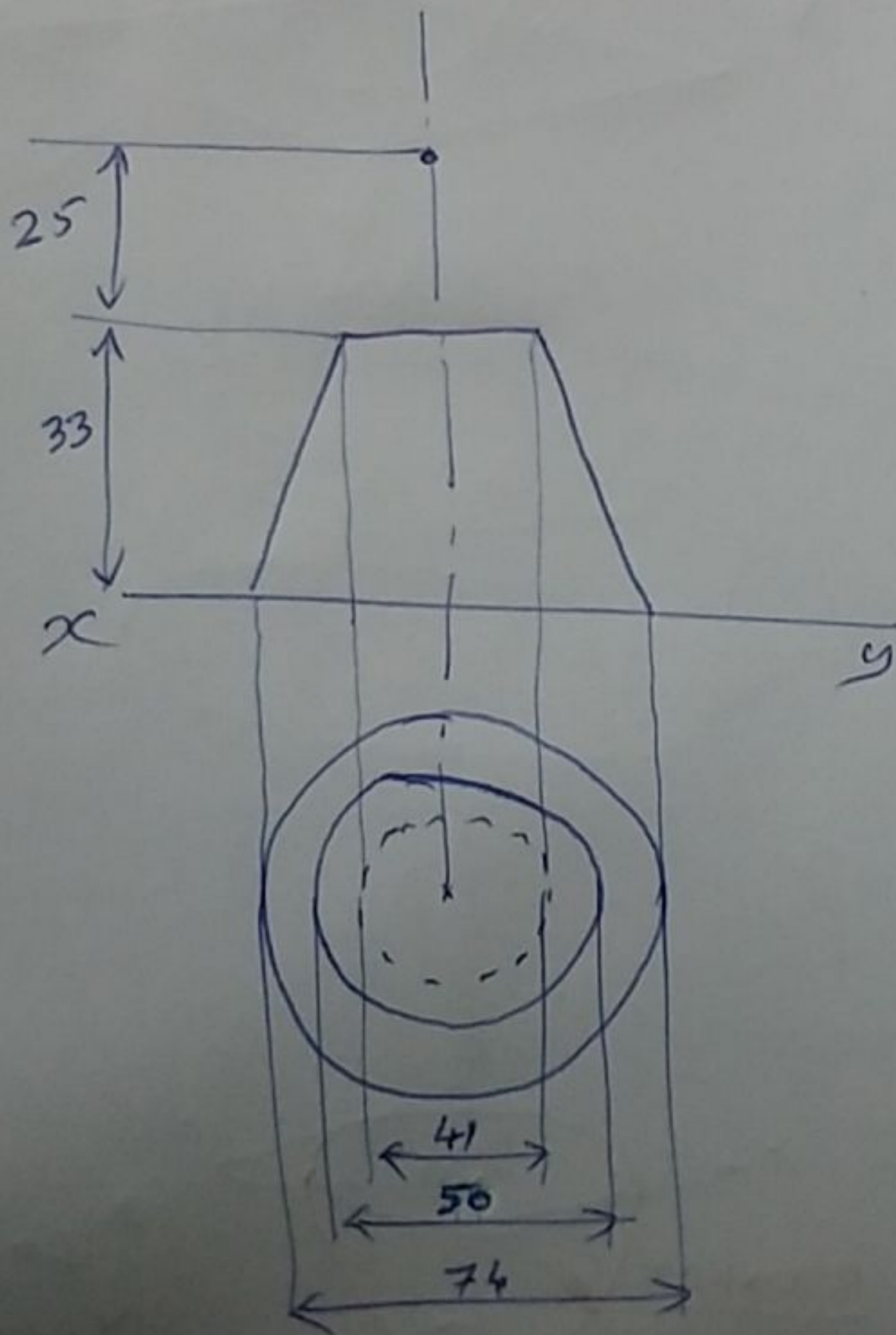


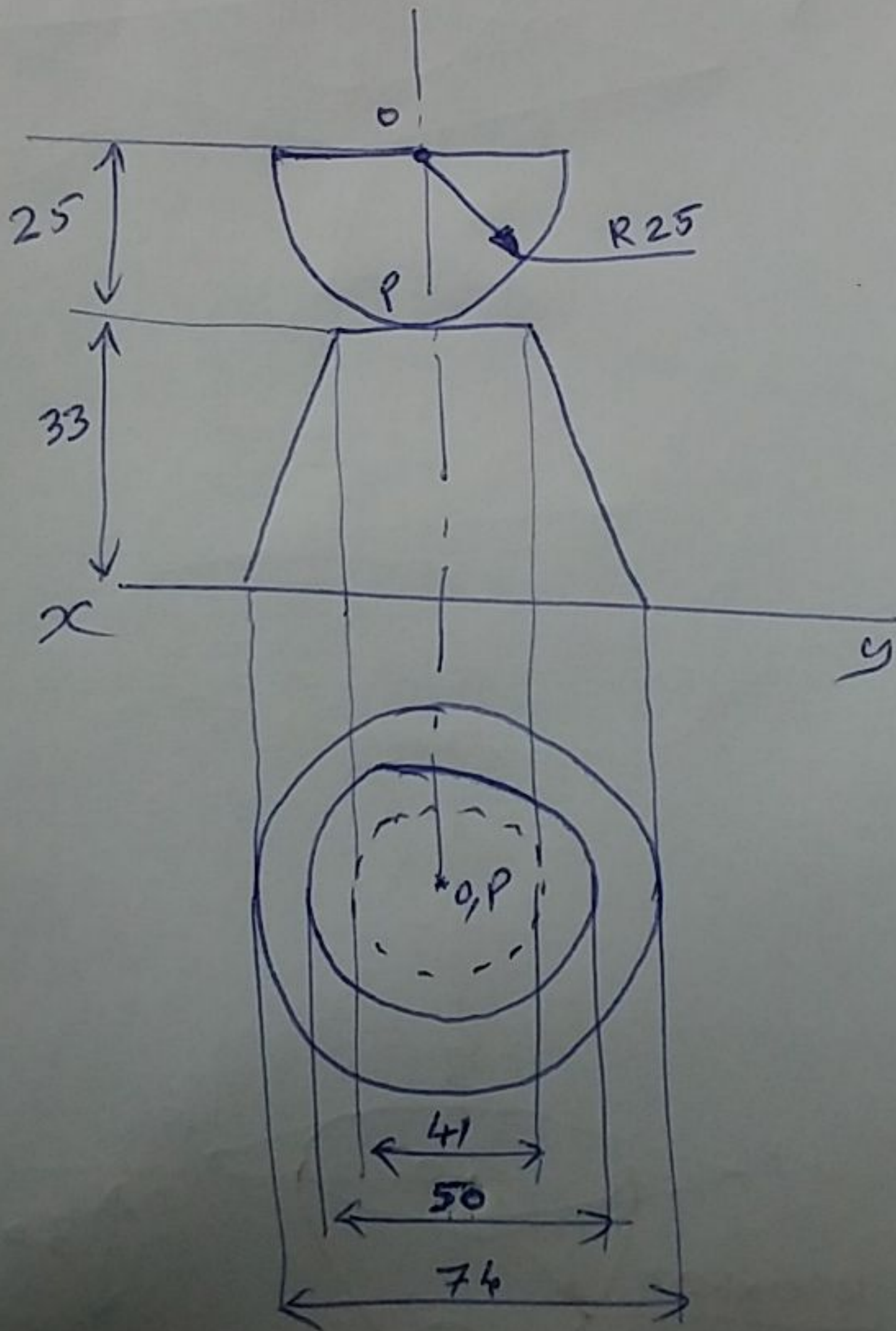
x y

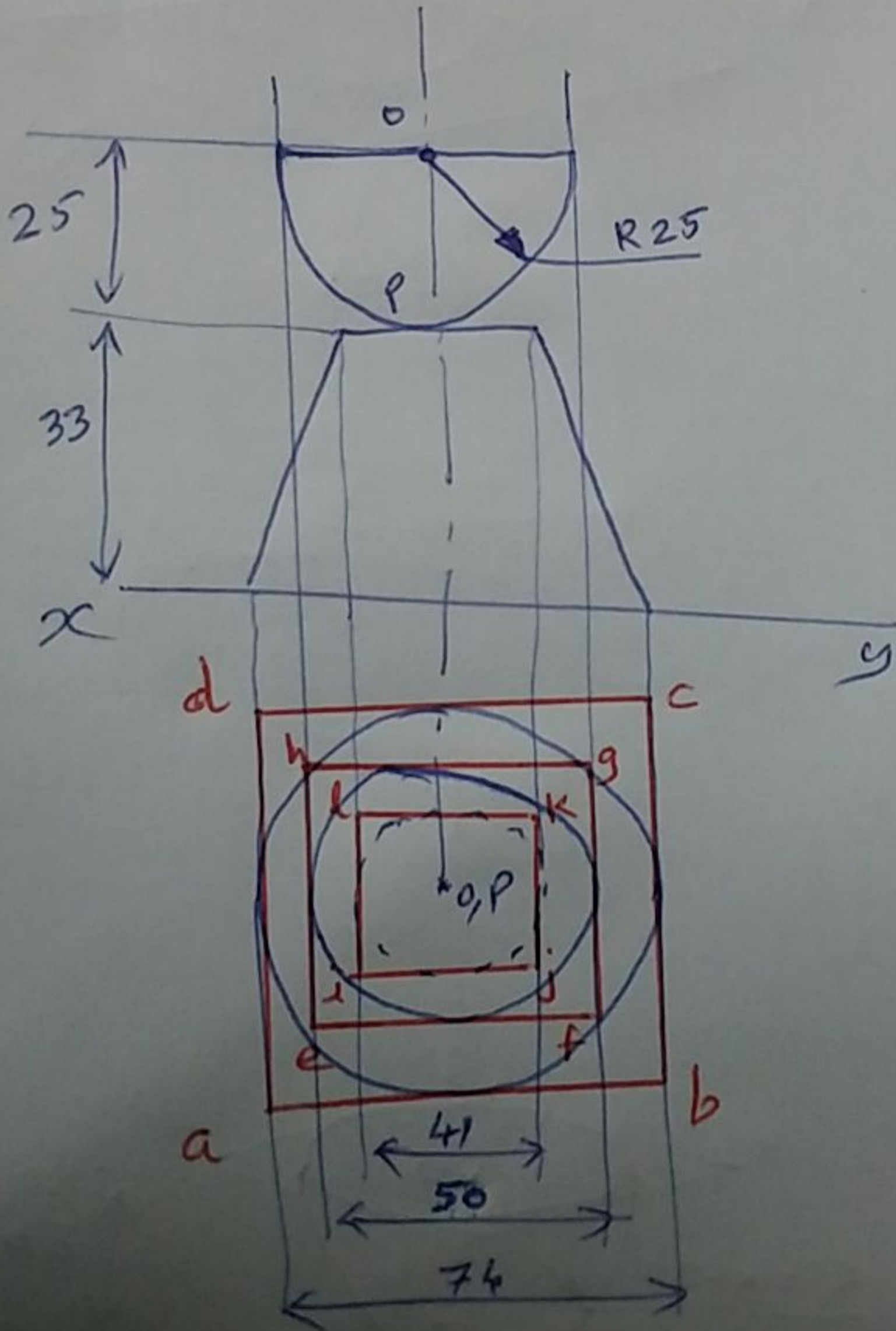


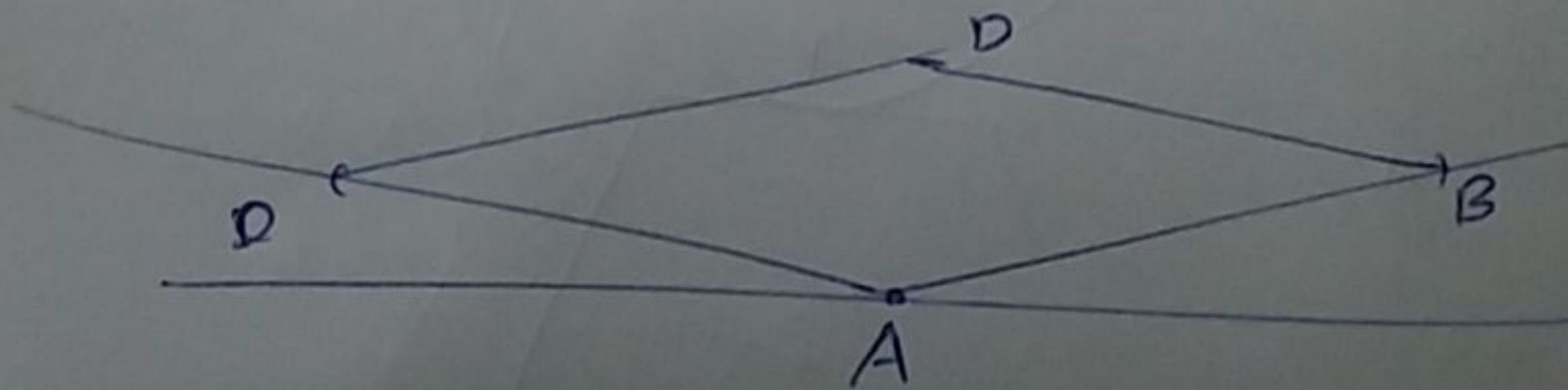


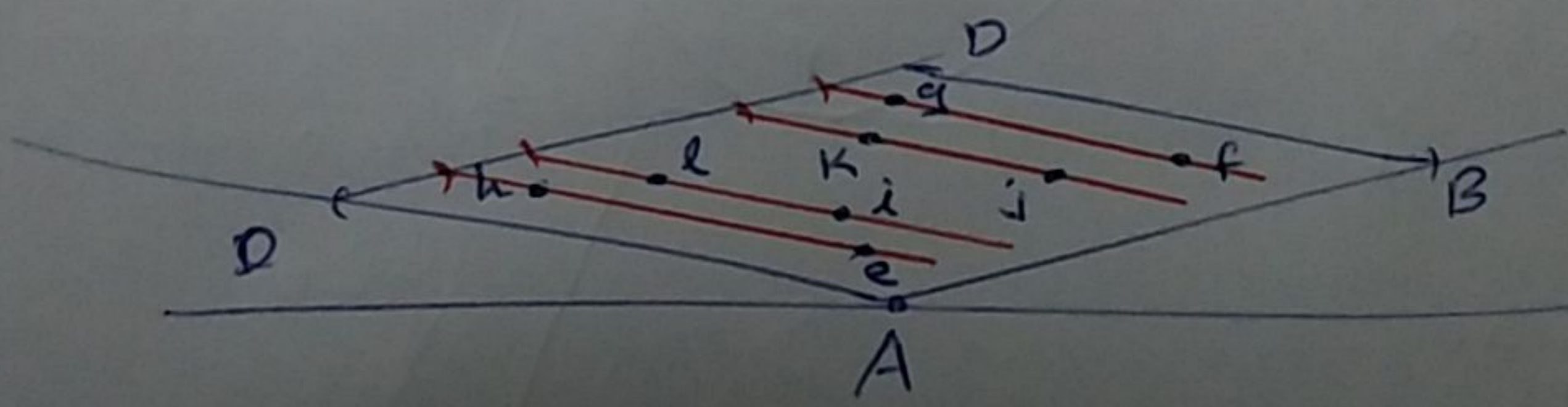


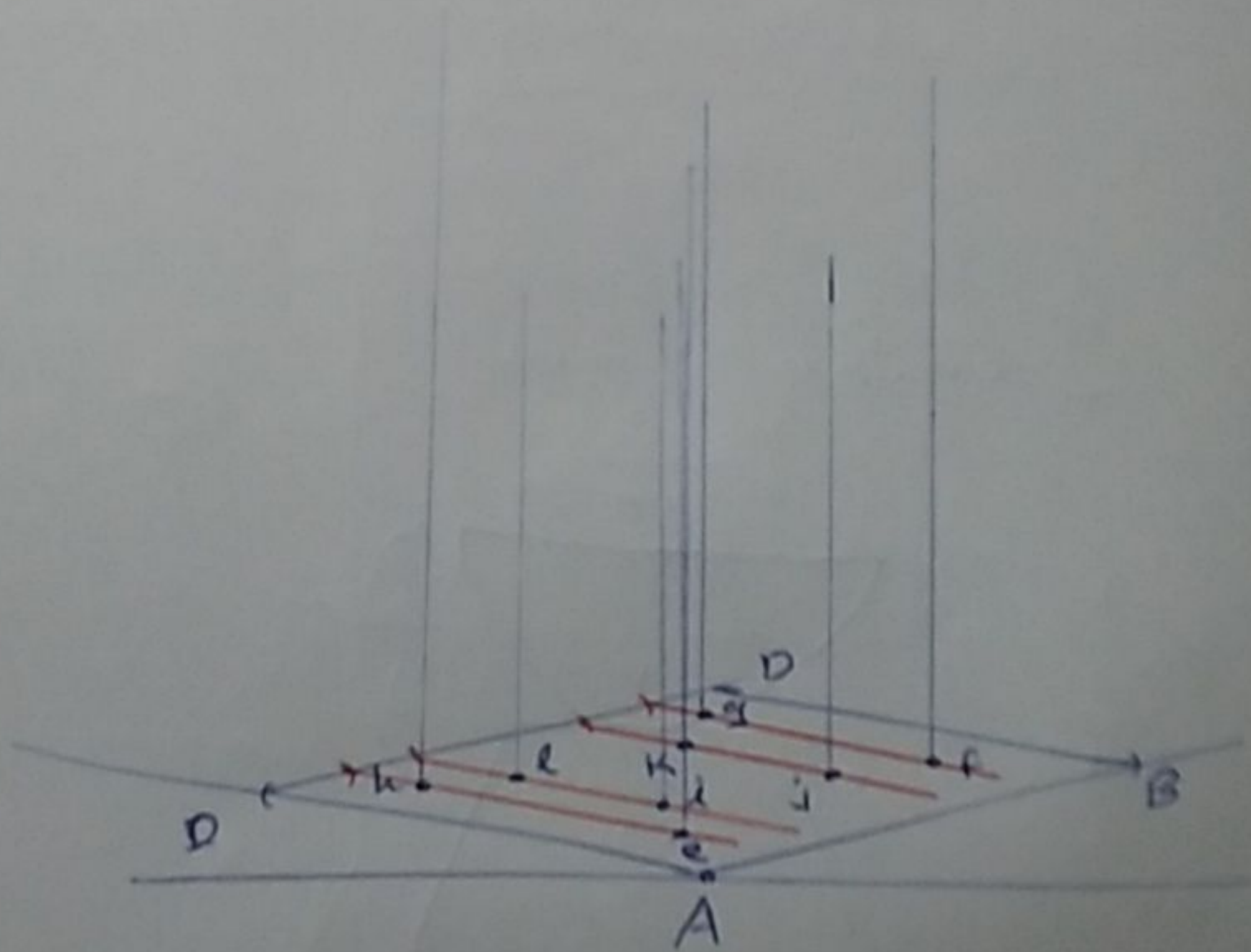




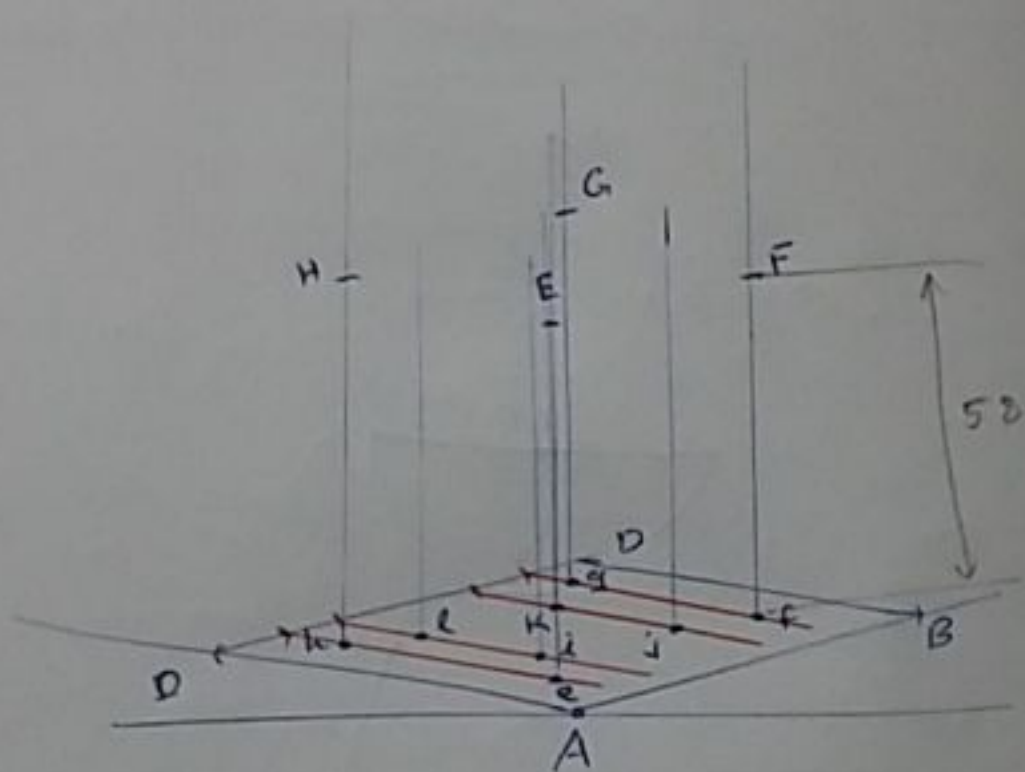
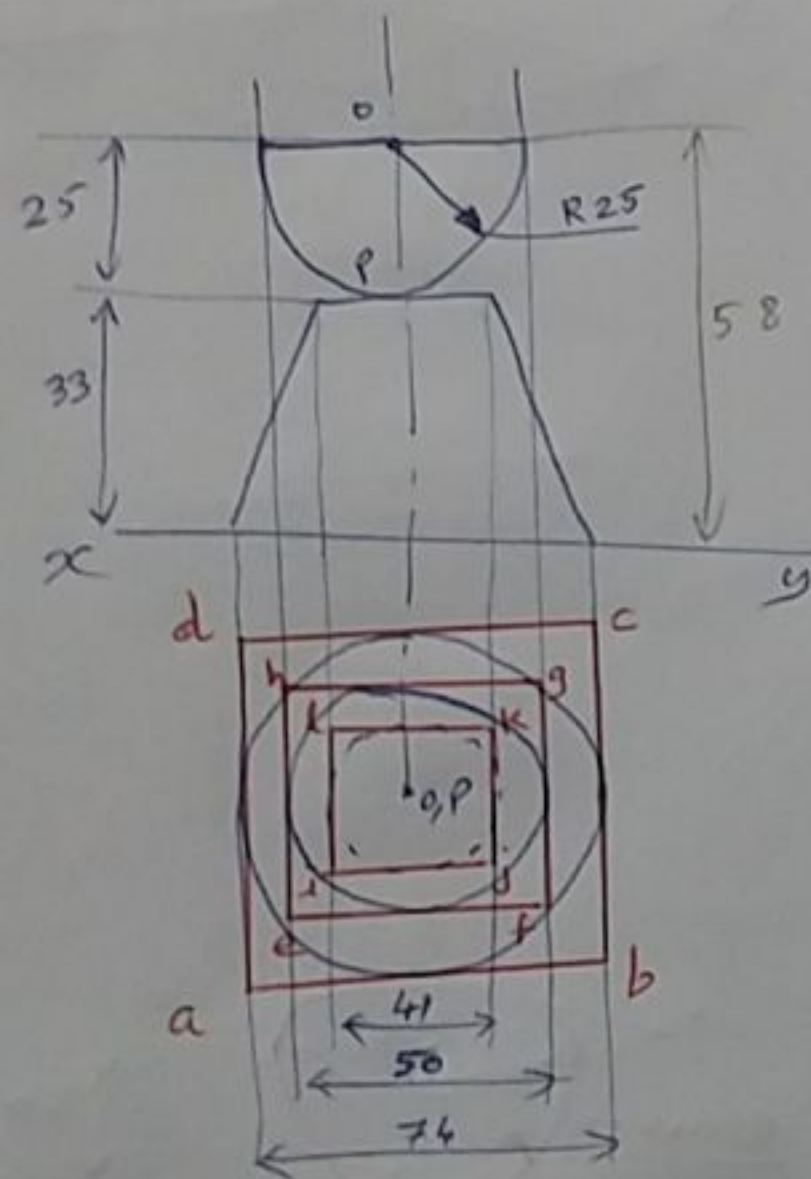
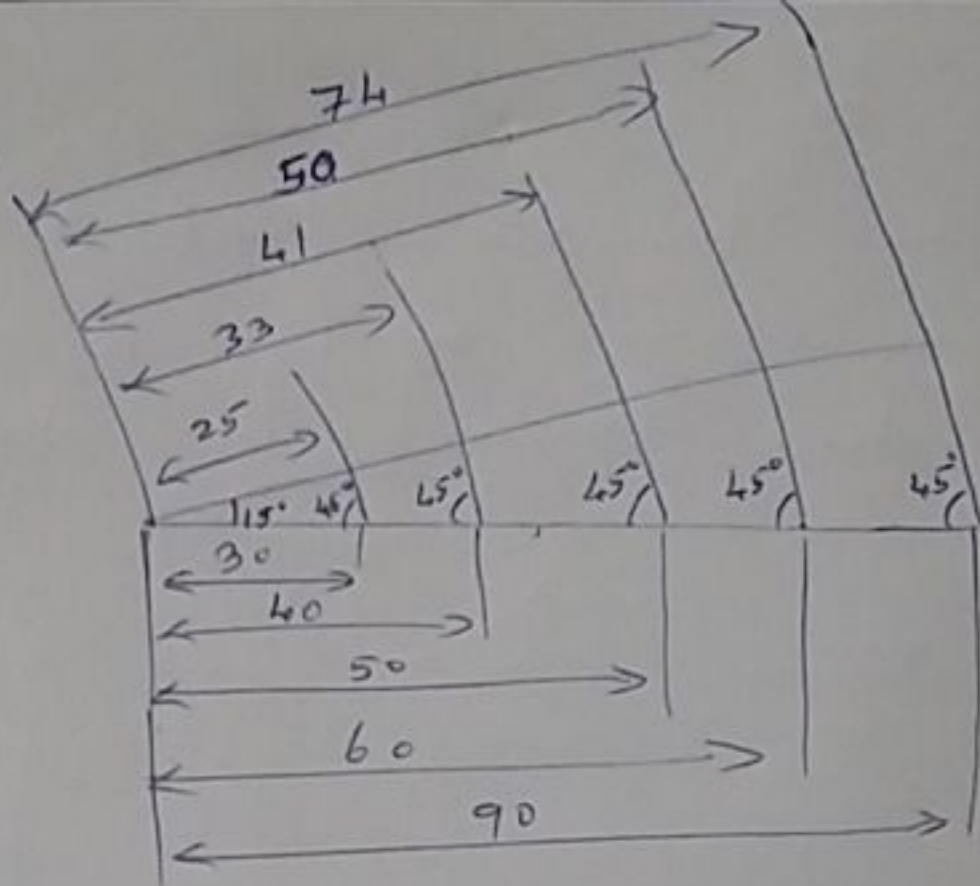






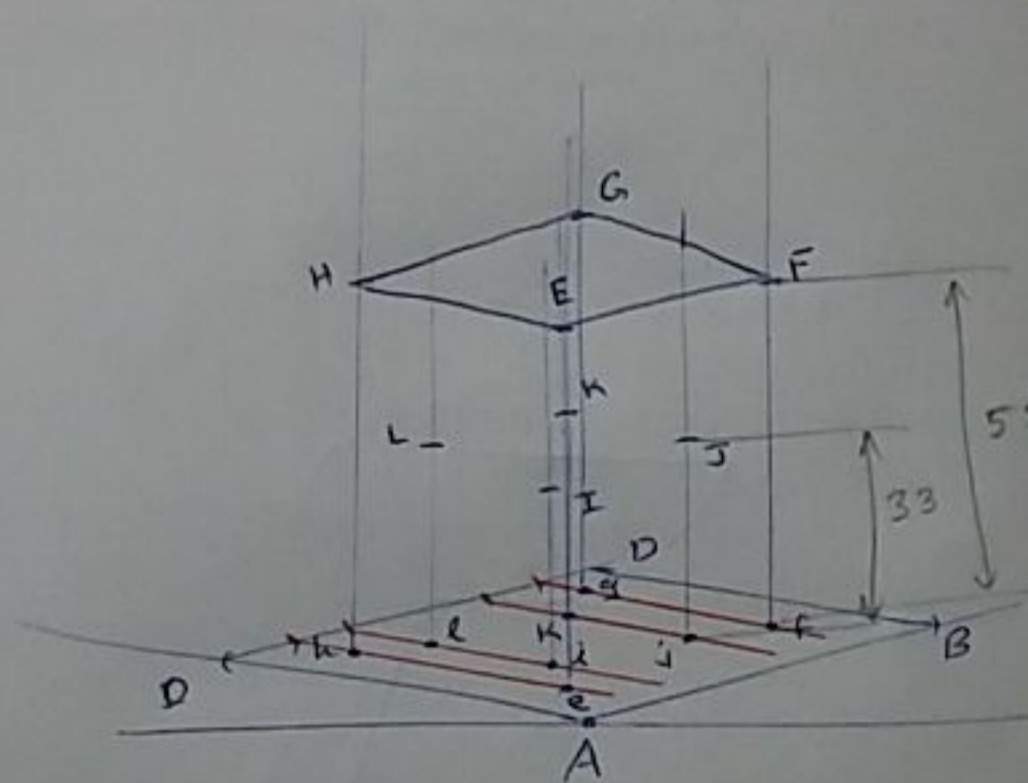
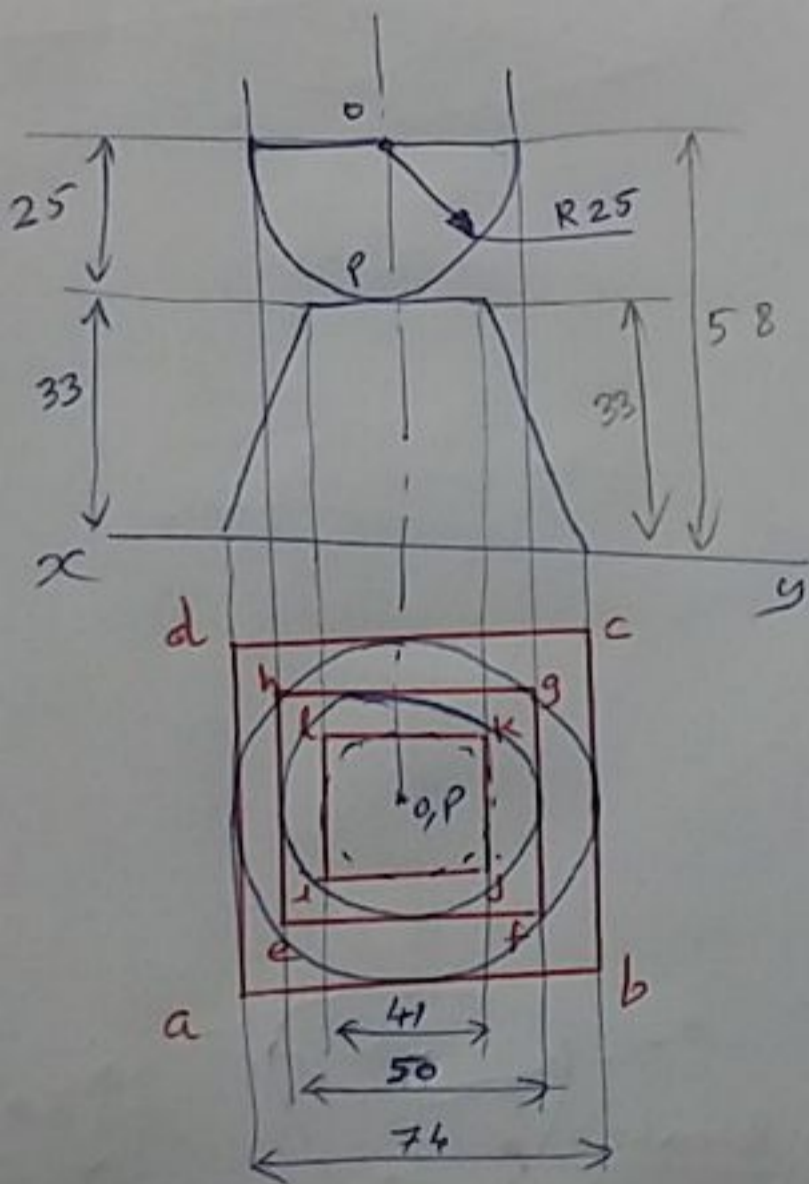
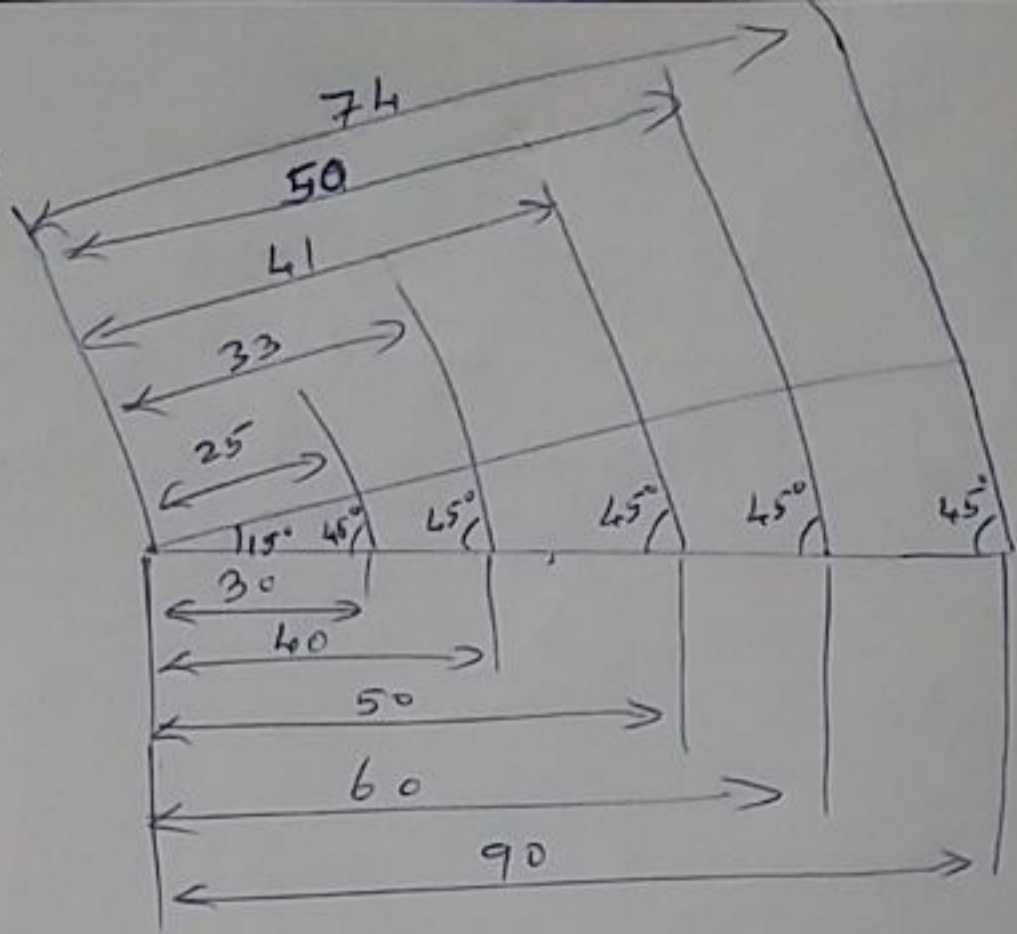


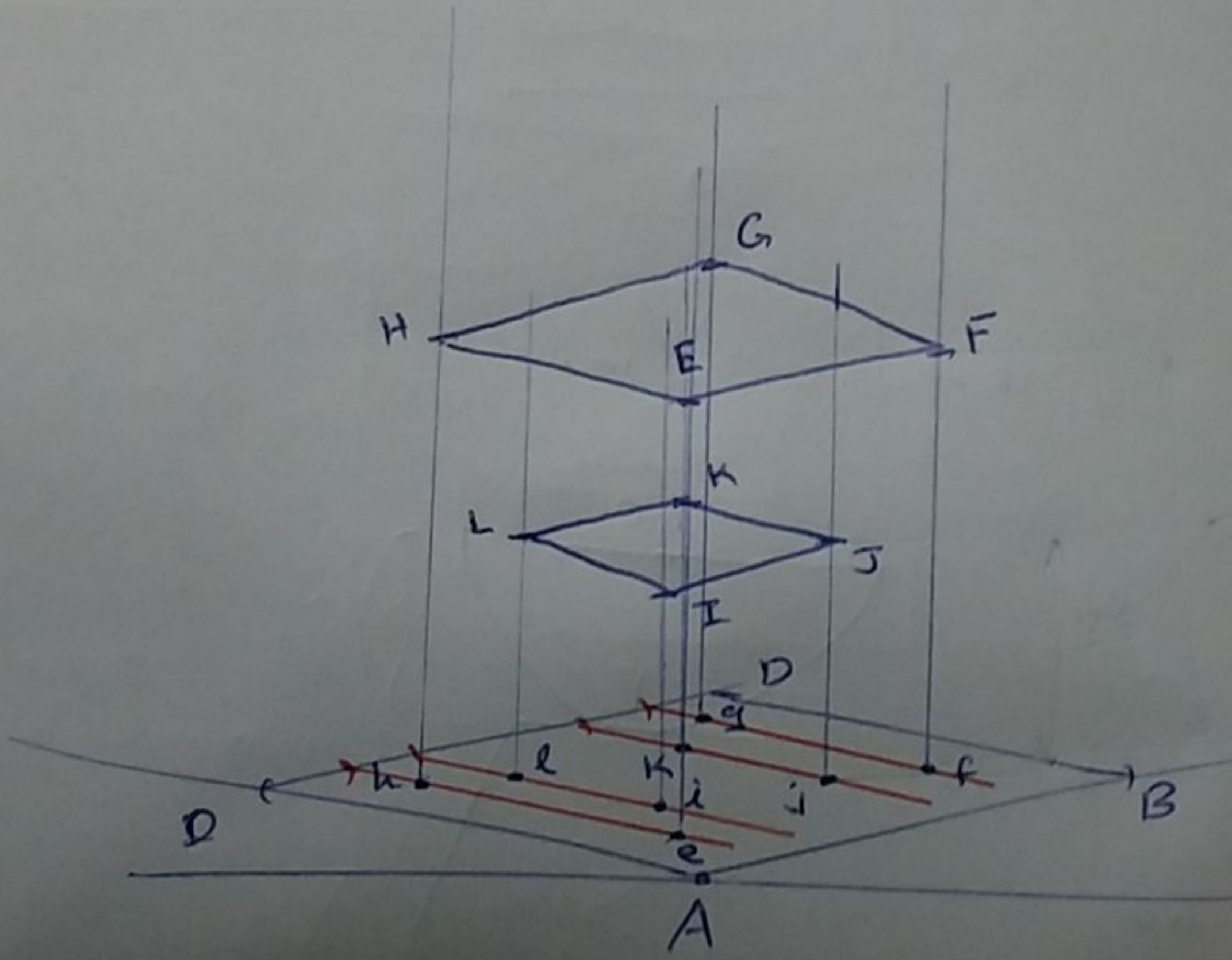
# Isometric projection

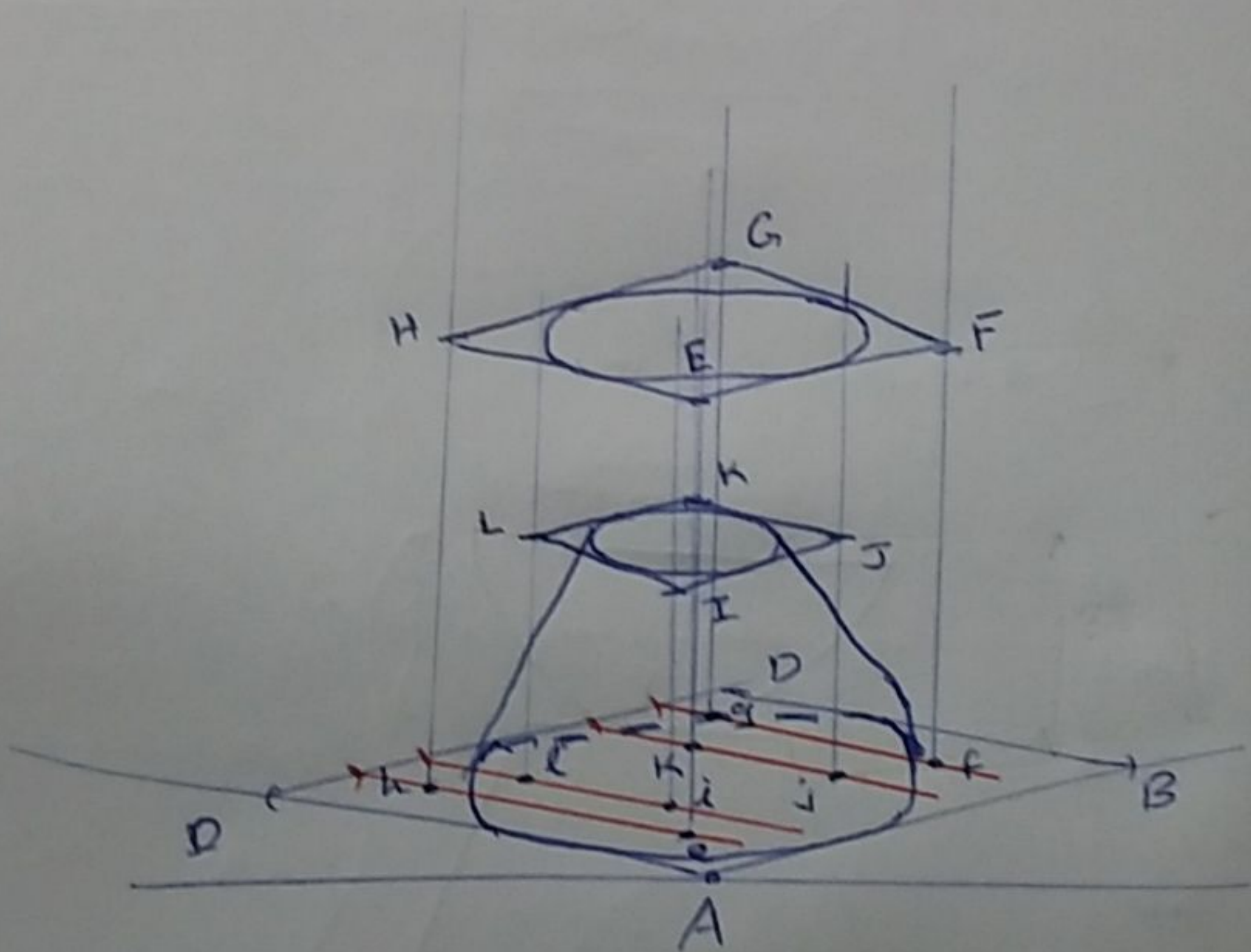




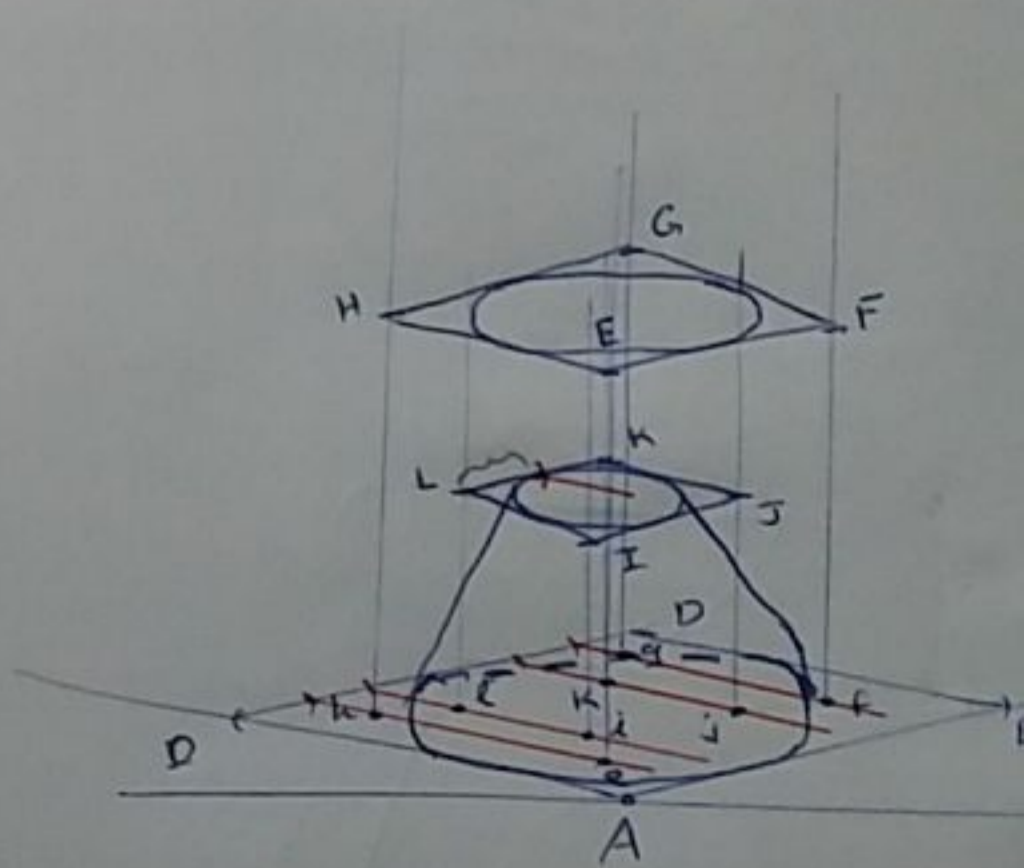
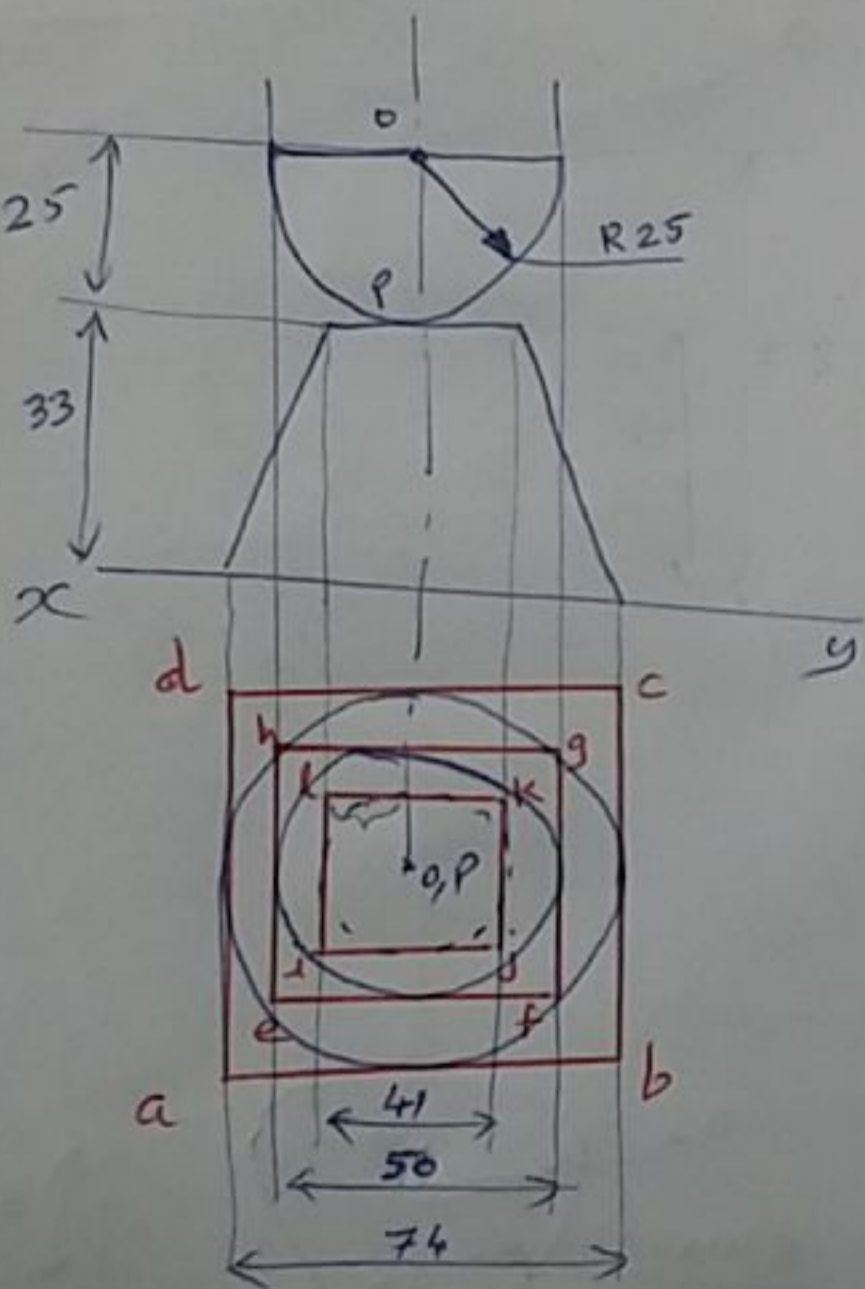
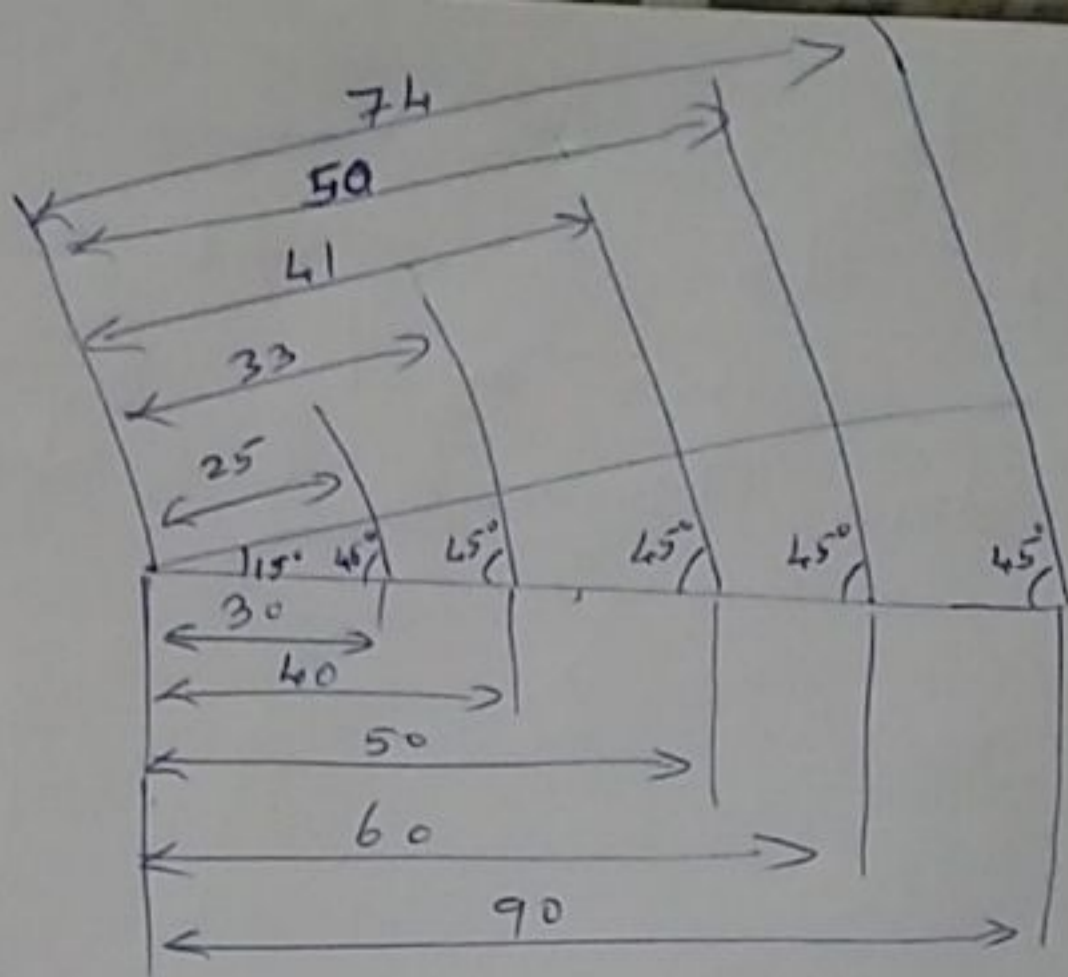
# Isometric projection



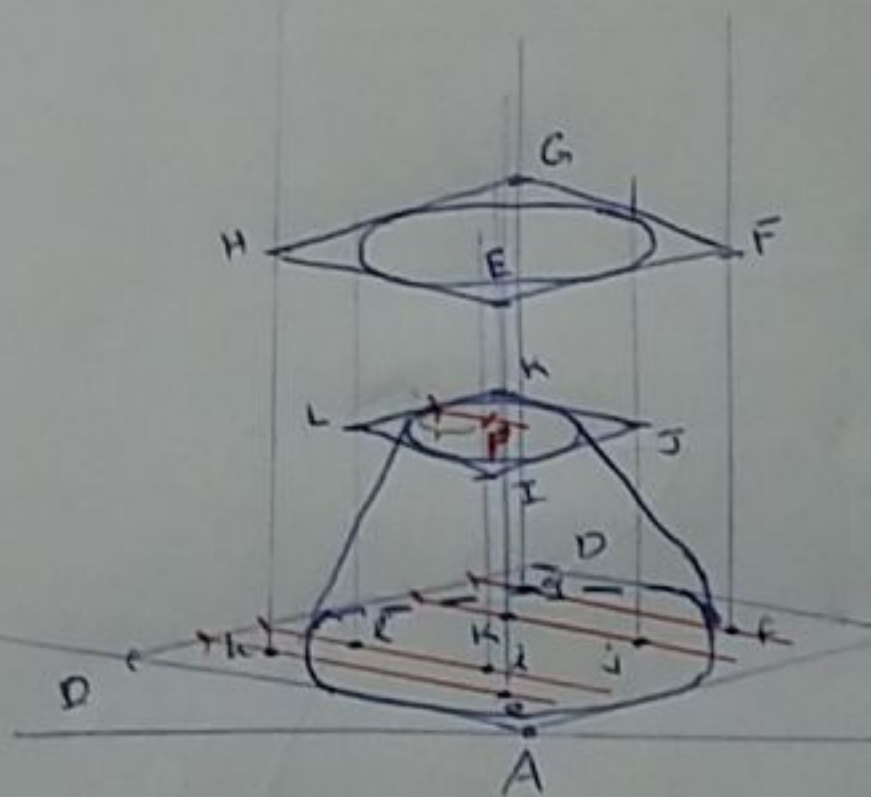
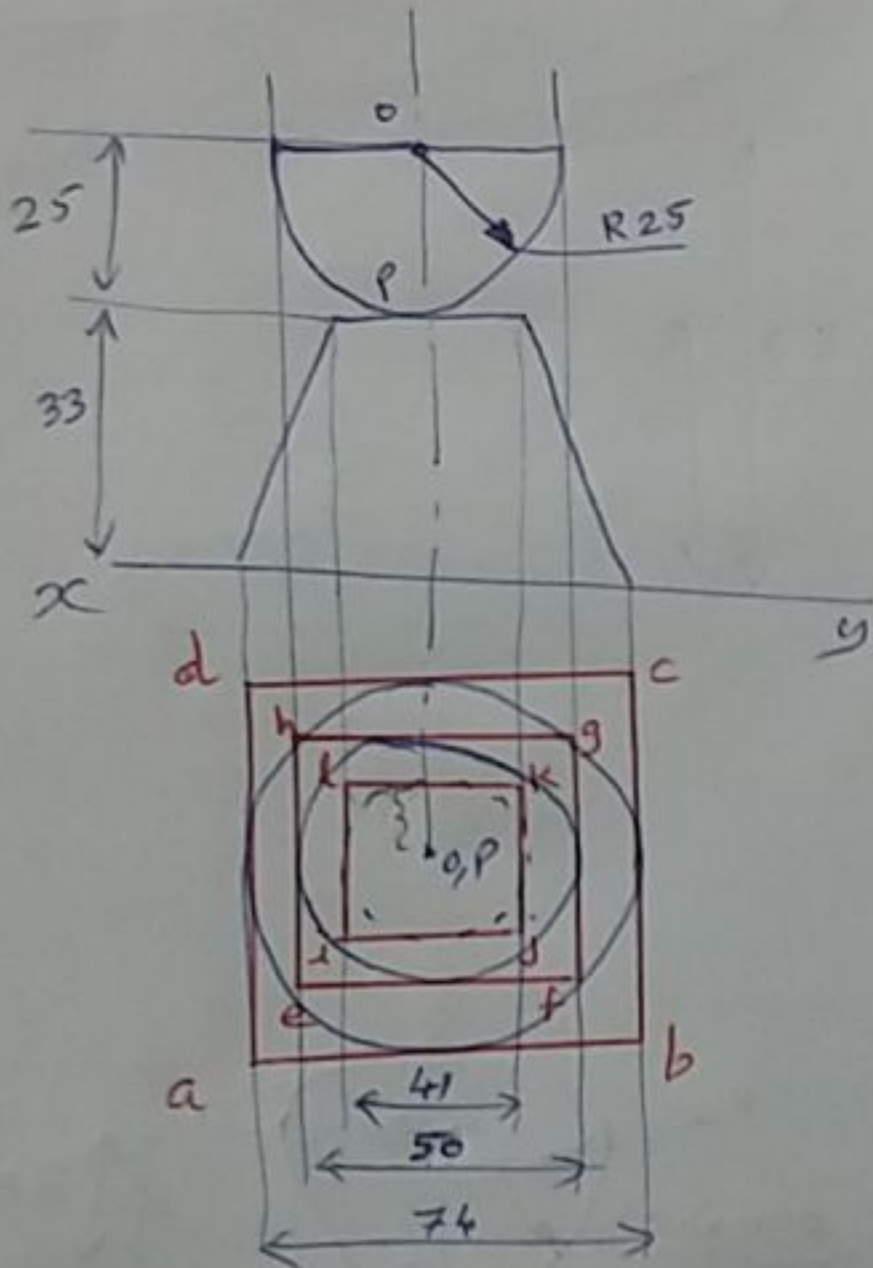
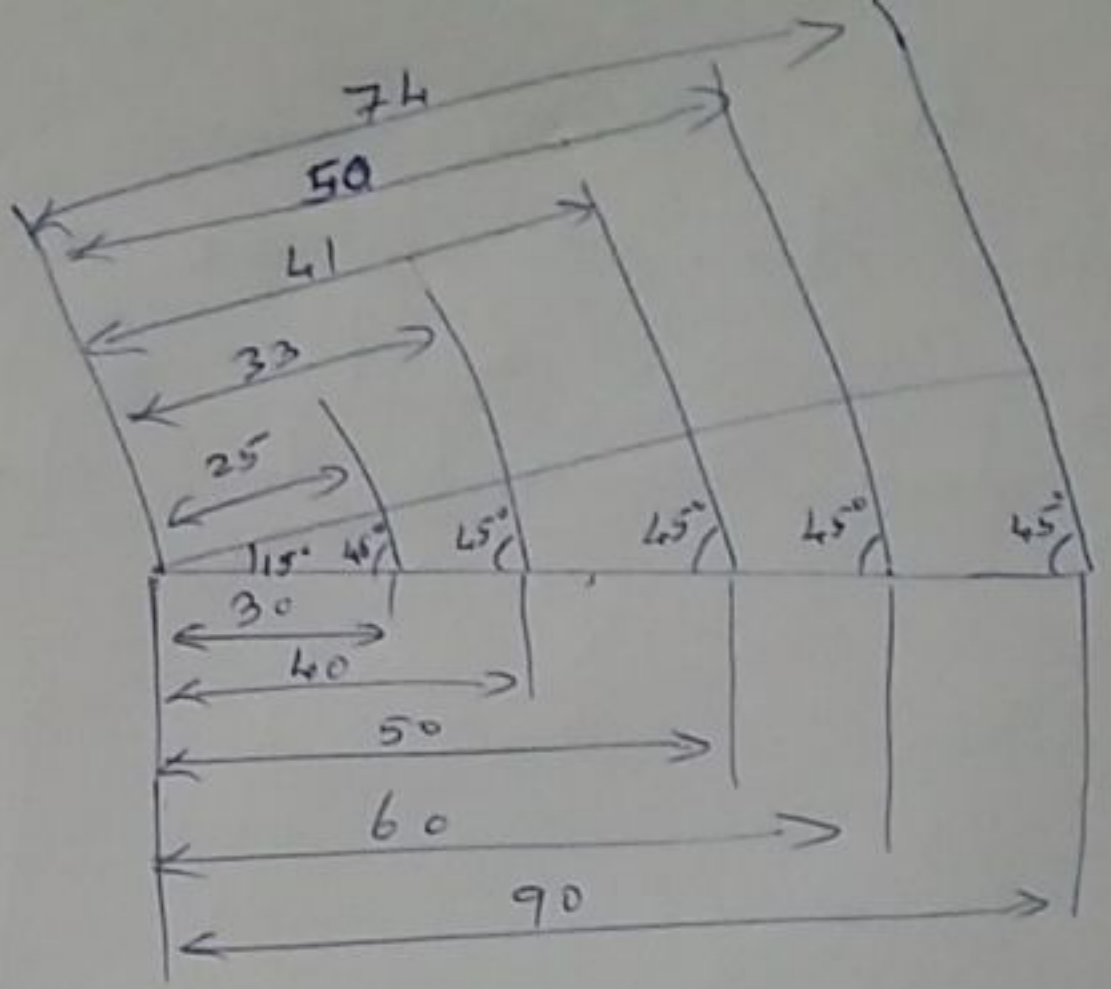




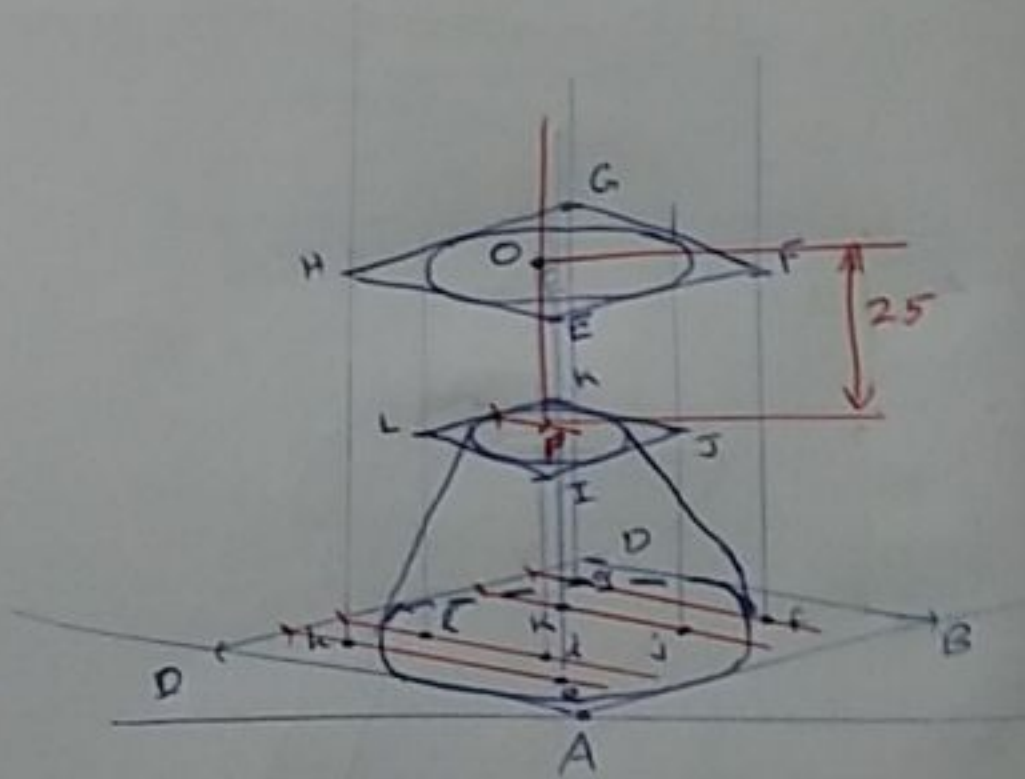
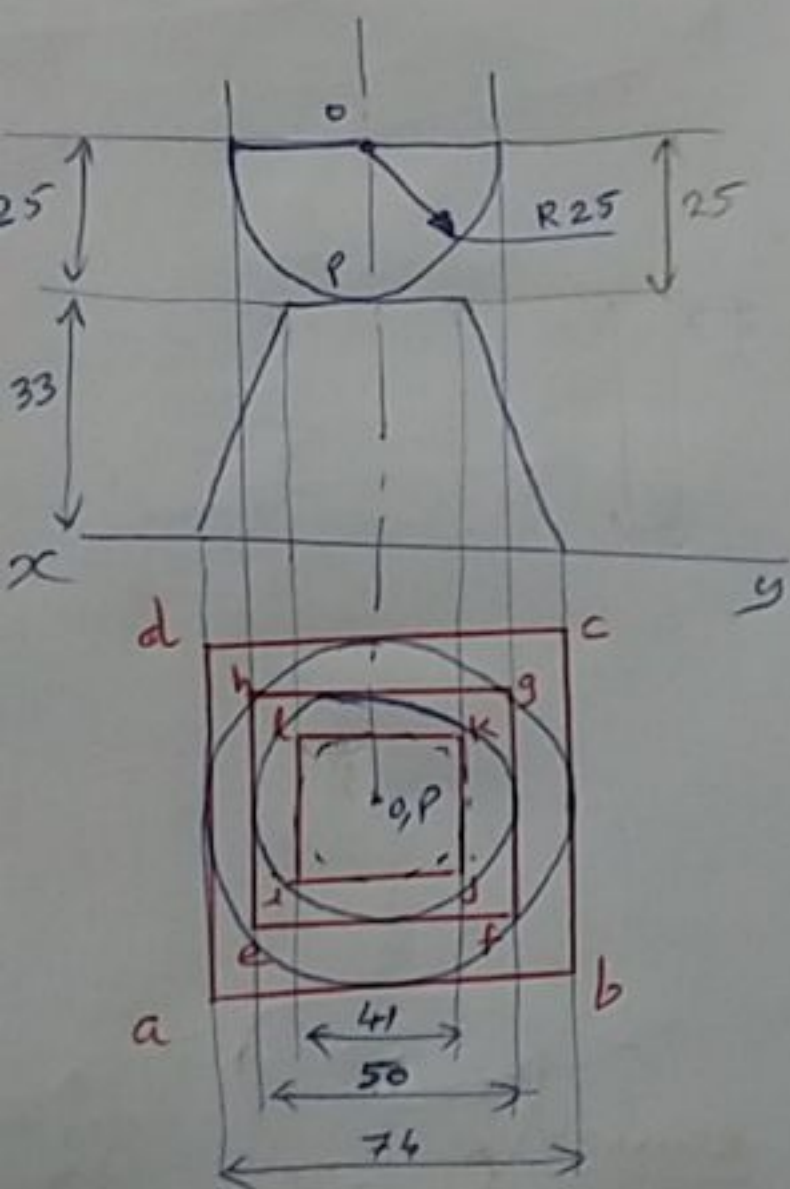
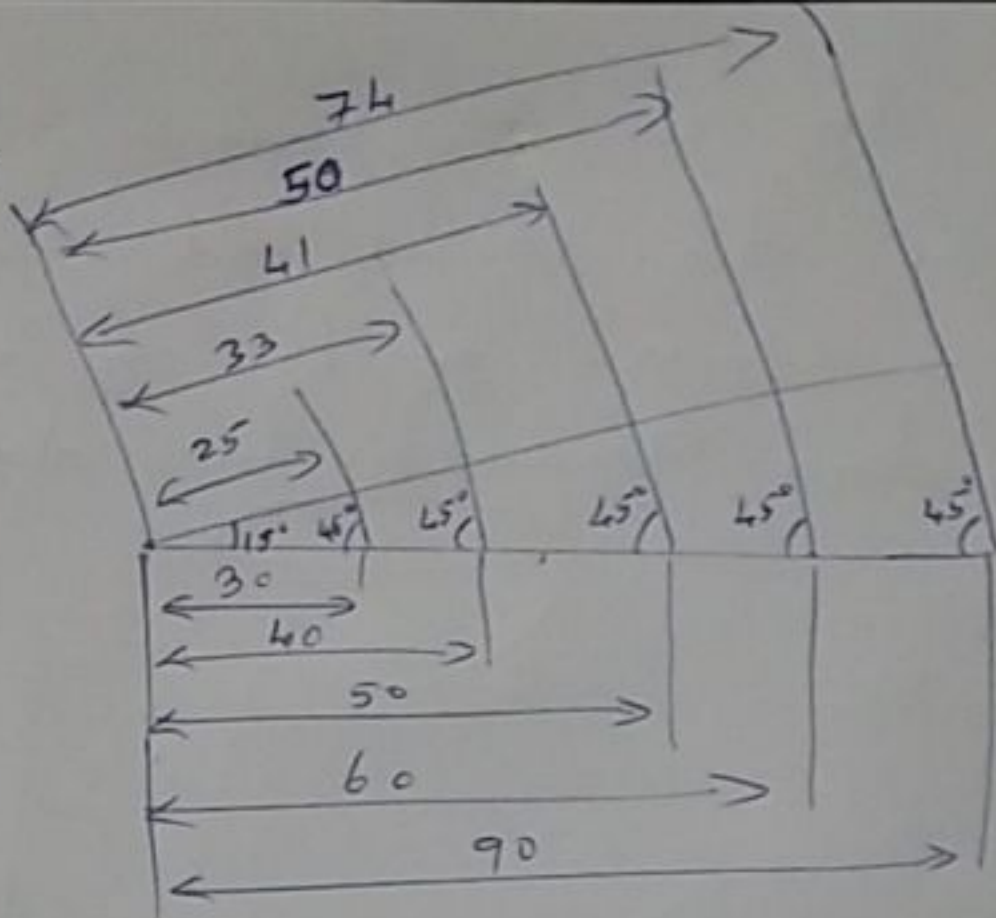
# Isometric projection

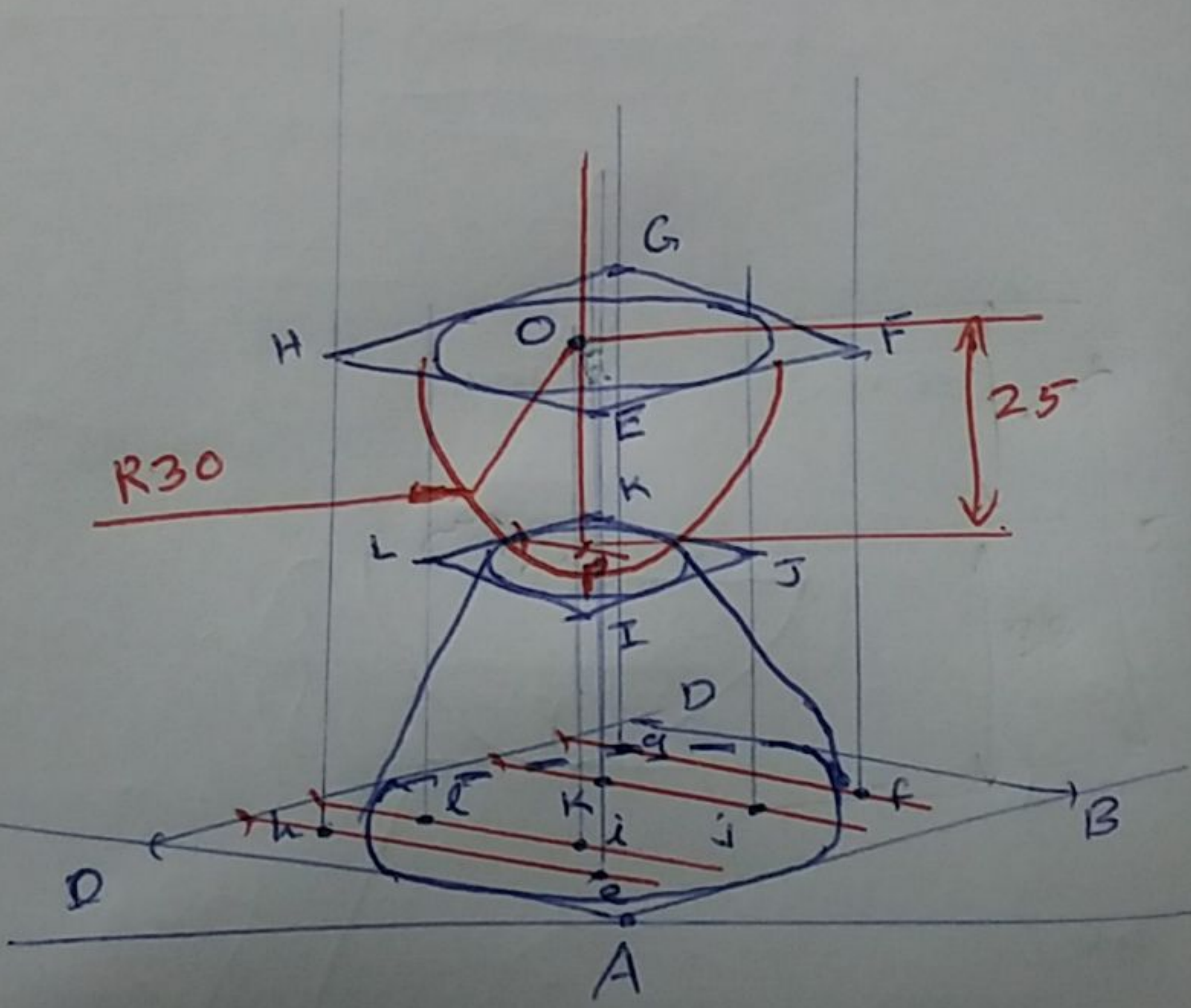


# Isometric projection

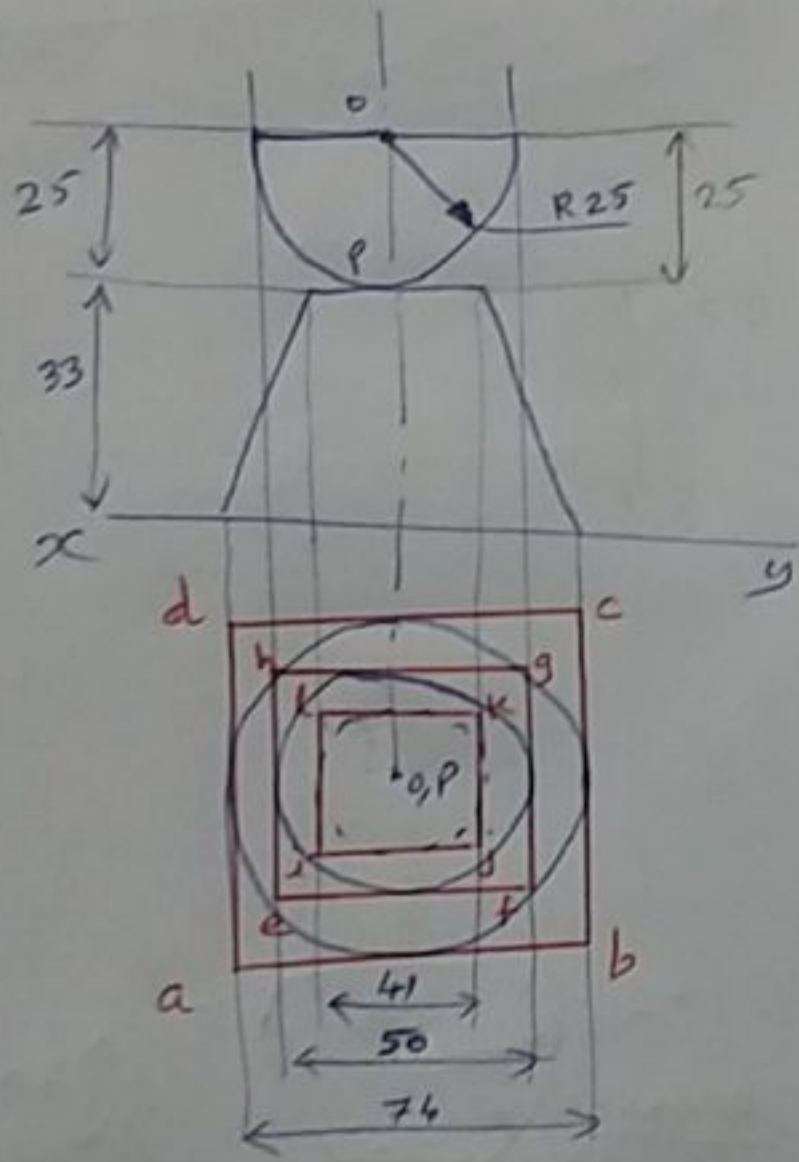
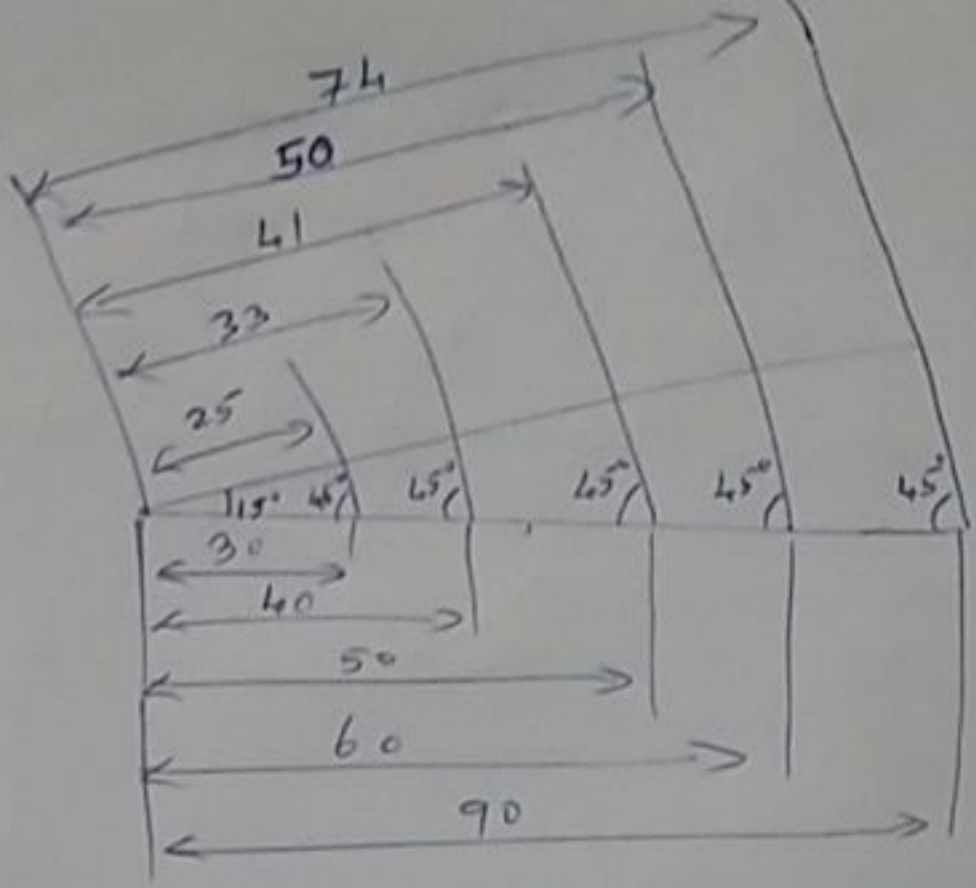


# Isometric projection

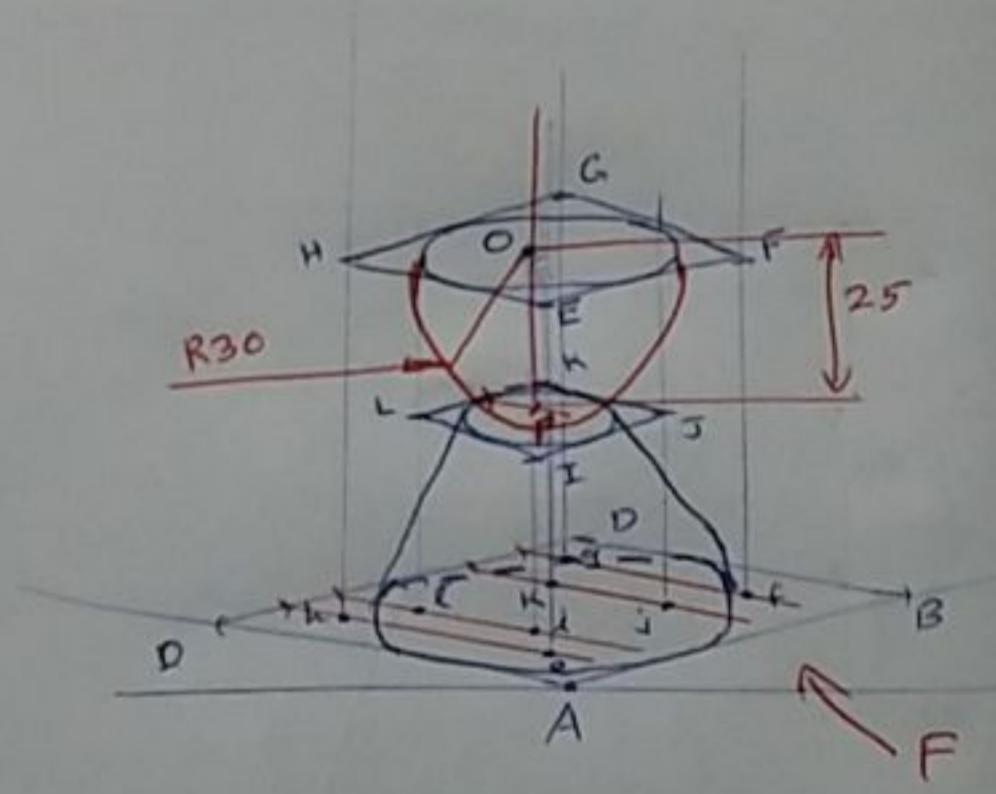




# Isometric projection



Ortho. proj. using  
Iso. Scale



Iso. proj.



A hemisphere of diameter 80 mm is resting on the ground with its flat surface facing upwards. A square pyramid having side of base 40 mm and axis 60 mm, is resting on its base centrally on top of the hemisphere. Draw the isometric projection of the combination of solids. (KU-'94)

